



## BASIC

BASIC is a linear luminaire of 30/ 50/ 70mm width. It supports pendant, recessed installation, whole luminaire splicing, with on/ off, 1-10V, DALI2+Push dimming and Casambi/ Tuya smart control, can satisfy needs for flood lighting and indirect lighting.





# Product Overview

## Pendant/Ceiling





## Pendant (Direct & indirect lighting)

## Recessed





30MM

BS3360FD  130  Diffuser	BS3360FP  131  Prismatic Diffuser
---	---





BH3360FD  136  Diffuser	BH3360FP  137  Prismatic Diffuser
---	---

BE5535FD  142  Diffuser	BE5535FP  143  Prismatic Diffuser
---	---





50MM

BS5470FD  132  Diffuser	BS5470FP  133  Prismatic Diffuser
---	---





BH5470FD  138  Diffuser	BH5470FP  139  Prismatic Diffuser
---	---

BE6935FD  144  Diffuser	BE6935FP  145  Prismatic Diffuser
---	---

70MM

BS7977FD  134  Diffuser	BS7977FP  135  Prismatic Diffuser
---	---

BH7977FD  140  Diffuser	BH7977FP  141  Prismatic Diffuser
---	---

BE9435FD  146  Diffuser	BE9435FP  147  Prismatic Diffuser
---	---

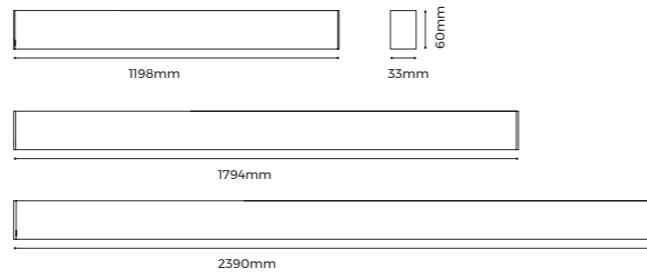
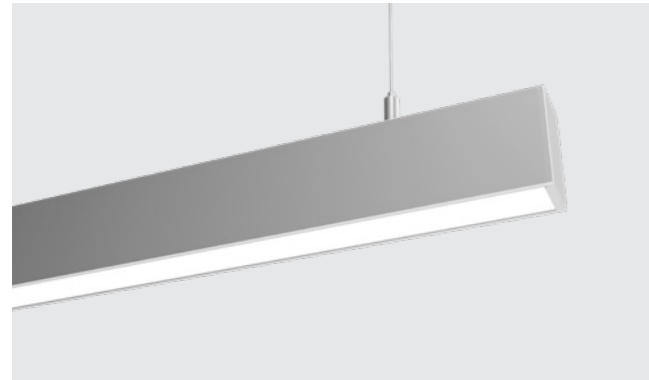






# BS3360FD

Diffuser



## Basic Parameters

Installation	Pendant/ Ceiling
Lighting direction	Downward
Material	AL6063-T5, spraying surface/ anodizing
Coating	Silver anodized, Black, White
Dimming method	Non/ DALI-2+PUSH/1-10V optional
Input voltage	AC220-240V
Application	Indoor
IP grade	IP20
Warranty	5 years (Emergency: 3 years)
Emergency lighting	3H optional
Certification	CE, CB, UKCA, ROHS, Reach

## Luminaire Parameters

Light source	2835		
SDCM	≤3 Step(ANSI)		
CRI	80\90		
CCT	2700\3000\4000\5000\6500\3CCT Dial Switch <sup>①</sup>		
Length (mm)	1198	1794	2390
Power (w)	19	27	38
Luminous flux(lm) (Normal version)	1900	2700	3800
Luminous flux(lm) (High-efficiency version)	2370	3370	4750
Light efficiency	100LM/ W, 125LM/ W		
Beam angle	110°		

\* The above parameters are based on Ra80, 4000K Light source.

① The color temperature range of the 3CCT dial switch is 3000K/4300K/6500K

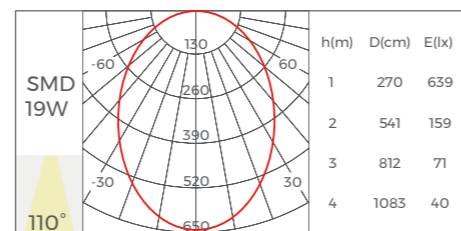
## Installation Accessories

Pendant cable (with junction box)	PY-D	
Pendant cable	PN-D	
Pendant Rod	PG-I	
Pendant clip	CP-33 25.8X20X8.6mm	
Ceiling clips	CP-42 22.4X4.2X20mm	
Whole luminaire splicing bars	EX-41 110X15.5X11.7mm	

## Corner accessories

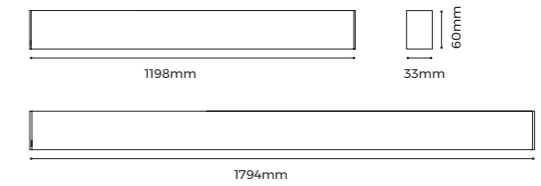
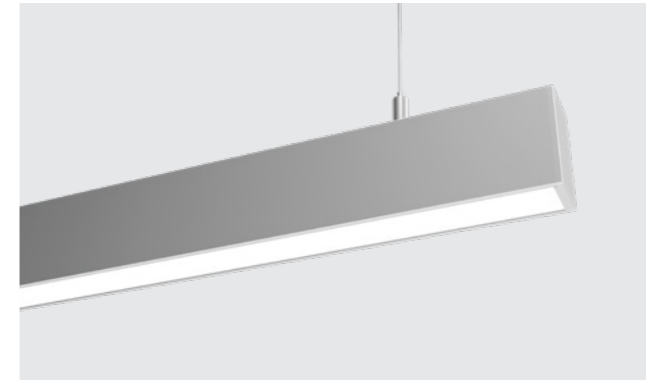
L-shaped	L90- 150X150X60mm	
L-shaped (Inward)	L90N-BS3360 150X150X33mm	
L-shaped (Outward)	L90W-BS3360 150X150X33mm	
T-shaped	T90W- BS3360 300X166.5X60mm	
X-shaped	X90-BS3360 300X300X60mm	

\* Without light source



# BS3360FP

Prismatic



## Basic Parameters

Installation	Pendant/ Ceiling
Lighting direction	Downward
Material	AL6063-T5, spraying surface/ anodizing
Coating	Silver anodized, Black, White
Dimming method	Non/ DALI-2+PUSH/1-10V optional
Input voltage	AC220-240V
Application	Indoor
IP grade	IP20
Warranty	5 years
Certification	CE, CB, UKCA, ROHS, Reach

## Luminaire Parameters

Light source	2835	
SDCM	≤3 Step(ANSI)	
UGR	<19 (X=4H, Y=8H)	
CRI	80\90	
CCT	2700\3000\4000\5000\6500K	
Length (mm)	1198	1794
Power (w)	19	27
Luminous flux(lm)	1810	2580
Light efficiency	95LM/ W	
Beam angle	70°	

\* The above parameters are based on Ra80, 4000K Light source.

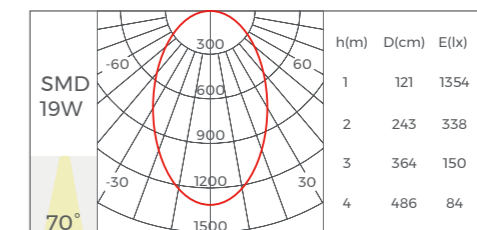
## Installation Accessories

Pendant cable (with junction box)	PY-D	
Pendant cable	PN-D	
Pendant Rod	PG-I	
Pendant clip	CP-33 25.8X20X8.6mm	
Ceiling clips	CP-42 22.4X4.2X20mm	
Whole luminaire splicing bars	EX-41 110X15.5X11.7mm	

## Corner accessories

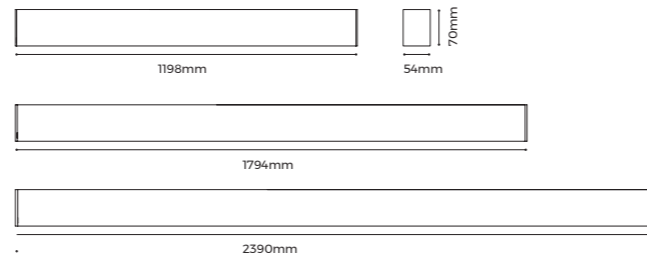
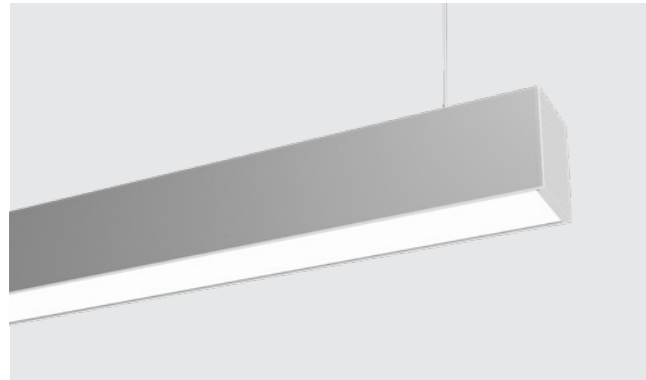
L-shaped	L90-BS3360 150X150X60mm	
L-shaped (Inward)	L90N-BS3360 150X150X33mm	
L-shaped (Outward)	L90W-BS3360 150X150X33mm	
T-shaped	T90W- BS3360 300X166.5X60mm	
X-shaped	X90-BS3360 300X300X60mm	

\* Without light source



# BS5470FD

Diffuser



### Basic Parameters

Installation	Pendant/ Ceiling/ Trimless recessed
Lighting direction	Downward
Material	AL6063-T5, spraying surface/ anodizing
Coating	Silver anodized, Black, White
Dimming method	Non/ DALI-2+PUSH/1-10V/ Tuya/ Casambi optional
Input voltage	AC220-240V
Application	Indoor
IP grade	IP20
Warranty	5 years (Emergency/ Tuya/ Casambi: 3 years)
Emergency lighting	3H optional
Certification	CE, CB, UKCA, ROHS, Reach

### Luminaire Parameters

Light source	2835		
SDCM	≤3 Step(ANSI)		
CRI	80\90		
CCT	2700\3000\4000\5000\6500\3CCT Dial Switch <sup>①</sup>		
Length (mm)	1198	1794	2390
Power (w)	27	38	53
Luminous flux(lm) (Normal version)	2970	4180	5830
Luminous flux(lm) (High-efficiency version)	3510	4940	6890
Light efficiency	110LM/ W, 130LM/ W		
Beam angle	110°		

\* The above parameters are based on Ra80, 4000K Light source.

① The color temperature range of the 3CCT dial switch is 3000K/4300K/6500K

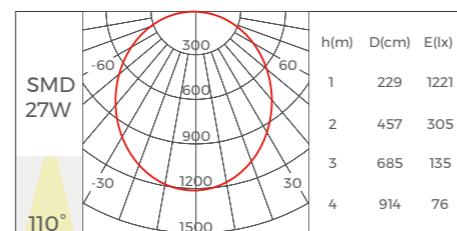
### Installation Accessories

Pendant cable (with junction box)	PY-D	
Pendant cable	PN-D	
Trimless recessed accessory	RE-03 110X25X82mm	
Ceiling accessory	CL-06 90.5X54X5.9mm	
Ceiling clip	CP-30 412X20X5.8mm	
Pendant Rod	PG-I	
Whole luminaire splicing bars	EX-41 110X15.5X11.7mm	

### Corner accessories

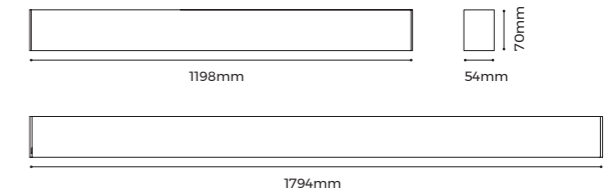
L-shaped	L90-BS5470 150X150X70mm	
L-shaped (Inward)	L90N-BS5470 150X150X54mm	
L-shaped (Outward)	L90W-BS5470 150X150X54mm	
T-shaped	T90-BS5470 300X177.5X70mm	
X-shaped	X90-BS5470 300X300X70mm	

\* Without light source



# BS5470FP

Prismatic



### Basic Parameters

Installation	Pendant/ Ceiling/ Trimless recessed
Lighting direction	Downward
Material	AL6063-T5, spraying surface/ anodizing
Coating	Silver anodized, Black, White
Dimming method	Non/ DALI-2+PUSH/1-10V/Optional
Input voltage	AC220-240V
Application	Indoor
IP grade	IP20
Warranty	5 years
Certification	CE, CB, UKCA, ROHS, Reach

### Luminaire Parameters

Light source	2835	
SDCM	≤3 Step(ANSI)	
UGR	<19 (X=4H, Y=8H)	
CRI	80\90	
CCT	2700\3000\4000\5000\6500K	
Length (mm)	1198	1794
Power (w)	27	38
Luminous flux(lm)	2400	3370
Light efficiency	90LM/ W	
Beam angle	70°	

\* The above parameters are based on Ra80, 4000K Light source.

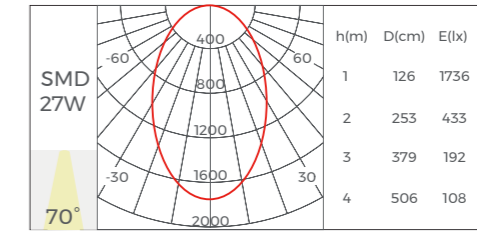
### Installation Accessories

Pendant cable (with junction box)	PY-D	
Pendant cable	PN-D	
Trimless recessed accessory	RE-03 110X25X82mm	
Ceiling accessory	CL-06 90.5X54X5.9mm	
Ceiling clip	CP-30 412X20X5.8mm	
Pendant Rod	PG-I	
Whole luminaire splicing bars	EX-41 110X15.5X11.7mm	

### Corner accessories

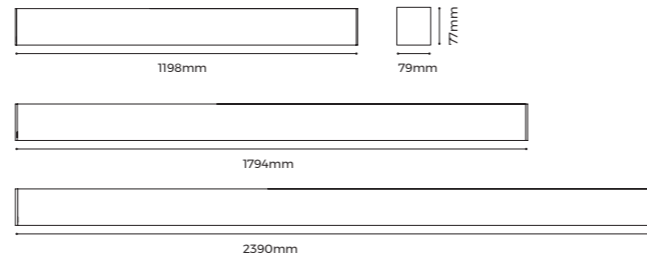
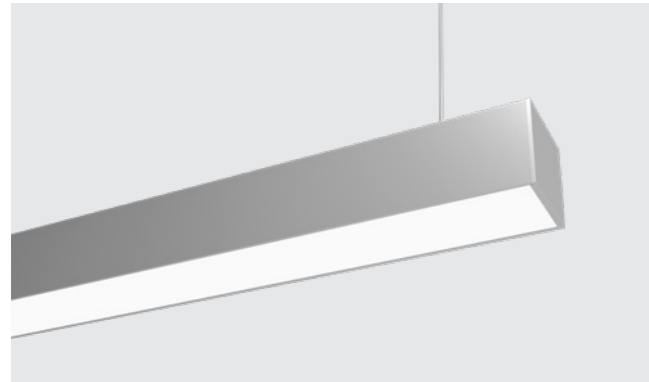
L-shaped	L90-BS5470 150X150X70mm	
L-shaped (Inward)	L90N-BS5470 150X150X54mm	
L-shaped (Outward)	L90W-BS5470 150X150X54mm	
T-shaped	T90-BS5470 300X177.5X70mm	
X-shaped	X90-BS5470 300X300X70mm	

\* Without light source



# BS7977FD

## Diffuser



### Basic Parameters

Installation	Pendant/ Ceiling/ Trimless recessed
Lighting direction	Downward
Material	AL6063-T5, spraying surface/ anodizing
Coating	Silver anodized, Black, White
Dimming method	Non/ DALI-2+PUSH/1-10V/ Tuya/ Casambi optional
Input voltage	AC220-240V
Application	Indoor
IP grade	IP20
Warranty	5 years (Emergency/ Tuya/ Casambi: 3 years)
Emergency lighting	3H optional
Certification	CE, CB, UKCA, ROHS, Reach

### Luminaire Parameters

Light source	2835		
SDCM	≤3 Step(ANSI)		
CRI	80\90		
CCT	2700\3000\4000\5000\6500\3CCT Dial Switch <sup>①</sup>		
Length (mm)	1198	1794	2390
Power (w)	38	60	75
Luminous flux(lm) (Normal version)	4180	6600	8250
Luminous flux(lm) (High-efficiency version)	4940	7800	9750
Light efficiency	110LM/ W, 130LM/ W		
Beam angle	110°		

\* The above parameters are based on Ra80, 4000K Light source.

① The color temperature range of the 3CCT dial switch is 3000K/4300K/6500K

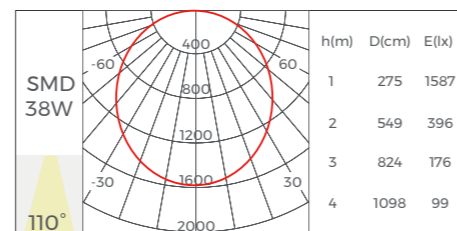
### Installation Accessories

Pendant cable (with junction box)	PY-D	
Pendant cable	PN-D	
Trimless recessed accessory	RE-04 135.4X25X90mm	
Ceiling accessory	CL-09 126X54X5.9mm	
Pendant Rod	PG-I	
Whole luminaire splicing bars	EX-41 110X15.5X11.7mm	

### Corner accessories

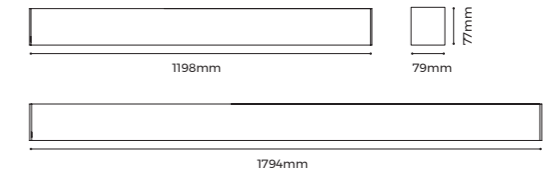
L-shaped	L90-BS7977 150X150X77mm	
L-shaped (Inward)	L90N-BS7977 150X150X79mm	
L-shaped (Outward)	L90W-BS7977 150X150X79mm	
T-shaped	T90-BS7977 300X189.5X77mm	
X-shaped	X90-BS7977 300X300X77mm	

\* Without light source



# BS7977FP

## Prismatic



### Basic Parameters

Installation	Pendant/ Ceiling/ Trimless recessed
Lighting direction	Downward
Material	AL6063-T5, spraying surface/ anodizing
Coating	Silver anodized, Black, White
Dimming method	Non/ DALI-2+PUSH/1-10V/ Optional
Input voltage	AC220-240V
Application	Indoor
IP grade	IP20
Warranty	5 years
Certification	CE, CB, UKCA, ROHS, Reach

### Luminaire Parameters

Light source	2835	
SDCM	≤3 Step(ANSI)	
UGR	<19 (X=4H, Y=8H)	
CRI	80\90	
CCT	2700\3000\4000\5000\6500K	
Length (mm)	1198	1794
Power (w)	34	51
Luminous flux(lm)	3470	5190
Light efficiency	100LM/ W	
Beam angle	70°	

\* The above parameters are based on Ra80, 4000K Light source.

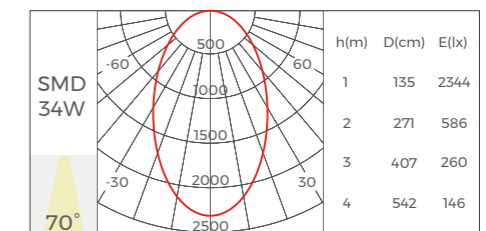
### Installation Accessories

Pendant cable (with junction box)	PY-D	
Pendant cable	PN-D	
Trimless recessed accessory	RE-04 135.4X25X90mm	
Ceiling accessory	CL-09 126X54X5.9mm	
Pendant Rod	PG-I	
Whole luminaire splicing bars	EX-41 110X15.5X11.7mm	

### Corner accessories

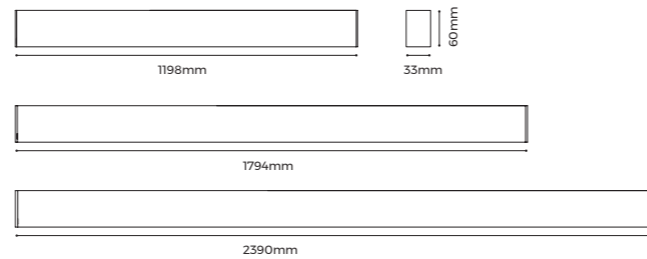
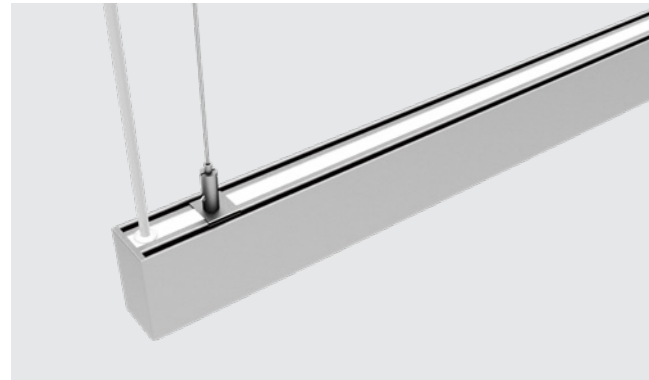
L-shaped	L90-BS7977 150X150X77mm	
L-shaped (Inward)	L90N-BS7977 150X150X79mm	
L-shaped (Outward)	L90W-BS7977 150X150X79mm	
T-shaped	T90-BS7977 300X189.5X77mm	
X-shaped	X90-BS7977 300X300X77mm	

\* Without light source



# BH3360FD

Diffuser



## Basic Parameters

Installation	Pendant
Lighting direction	Upward&Downward
Material	AL6063-T5, spraying surface/ anodizing
Coating	Silver anodized, Black, White
Dimming method	Non/ DALI-2+PUSH/1-10V optional
Input voltage	AC220-240V
Application	Indoor
IP grade	IP20
Warranty	5 years (Emergency: 3 years)
Emergency lighting	3H optional
Certification	CE, CB, UKCA, ROHS, Reach

## Luminaire Parameters

Light source	2835		
SDCM	≤3 Step(ANSI)		
CRI	80\90		
CCT	2700\3000\4000\5000\6500\3CCT Dial Switch ①		
Length (mm)	1198	1794	2390
Power (w)	27	45	60
Luminous flux(lm) (Normal version)	Up: 835 Down: 1865	Up: 1390 Down: 3110	Up: 1855 Down: 4145
Luminous flux(lm) (High-efficiency version)	Up: 1200 Down: 2240	Up: 1870 Down: 3735	Up: 2490 Down: 4980
Light efficiency	100LM/ W, 125LM/ W		
Beam angle	110°		

\* The above parameters are based on Ra80, 4000K Light source.

① The color temperature range of the 3CCT dial switch is 3000K/4300K/6500K

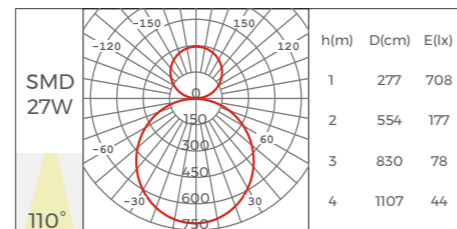
## Installation Accessories

Pendant cable (with junction box)	PY-D	
Pendant cable	PN-D	
Pendant clip	CP-33 25.8X20X8.6mm	
Pendant Rod	PG-I	
Whole luminaire splicing bars	EX-41 110X15.5X11.7mm	

## Corner accessories

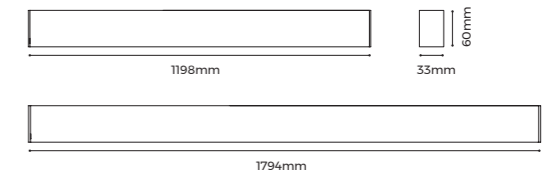
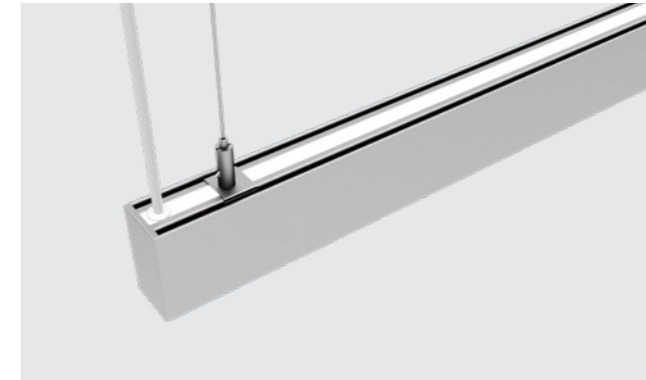
L-shaped	L90- BH3360 150X150X60mm	
T-shaped	T90- BH3360 300X166.5X60mm	
X-shaped	X90- BH3360 300X300X60mm	

\* Without light source



# BH3360FP

Prismatic



## Basic Parameters

Installation	Pendant
Lighting direction	Upward&Downward
Material	AL6063-T5, spraying surface/ anodizing
Coating	Silver anodized, Black, White
Dimming method	Non/ DALI-2+PUSH/1-10V optional
Input voltage	AC220-240V
Application	Indoor
IP grade	IP20
Warranty	5 years (Emergency: 3 years)
Certification	CE, CB, UKCA, ROHS, Reach

## Luminaire Parameters

Light source	2835	
SDCM	≤3 Step(ANSI)	
UGR	<19 (X=4H, Y=8H)	
CRI	80\90	
CCT	2700\3000\4000\5000\6500\3CCT Dial Switch ①	
Length (mm)	1198	1794
Power (w)	27	45
Luminous flux(lm) (Normal version)	Up: 930 Down: 1870	Up: 1550 Down: 3120
Light efficiency	105LM/ W	
Beam angle	70°	

\* The above parameters are based on Ra80, 4000K Light source.

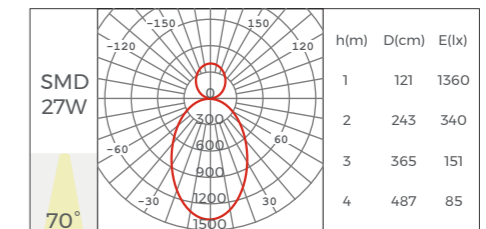
## Installation Accessories

Pendant cable (with junction box)	PY-D	
Pendant cable	PN-D	
Pendant clip	CP-33 25.8X20X8.6mm	
Pendant Rod	PG-I	
Whole luminaire splicing bars	EX-41 110X15.5X11.7mm	

## Corner accessories

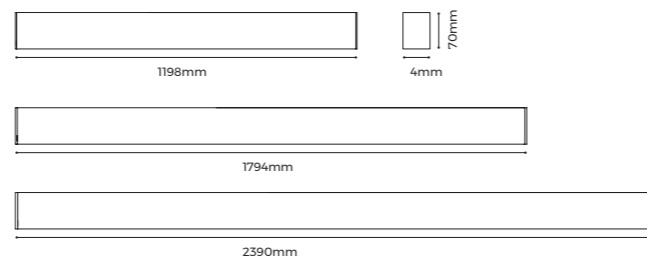
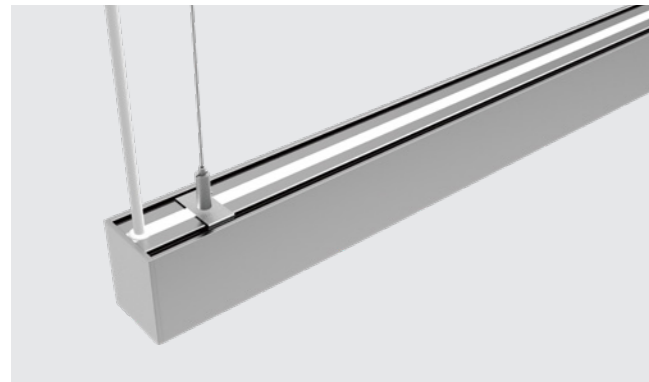
L-shaped	L90- BH3360 150X150X60mm	
T-shaped	T90- BH3360 300X166.5X60mm	
X-shaped	X90- BH3360 300X300X60mm	

\* Without light source



# BH5470FD

Diffuser



## Basic Parameters

Installation	Pendant
Lighting direction	Upward&Downward
Material	AL6063-T5, spraying surface/ anodizing
Coating	Silver anodized, Black, White
Dimming method	Non/ DALI-2+PUSH/1-10V/ Tuya/ Casambi optional
Input voltage	AC220-240V
Application	Indoor
IP grade	IP20
Warranty	5 years (Emergency/ Tuya/ Casambi: 3 years)
Emergency lighting	3H optional
Certification	CE, CB, UKCA, ROHS, Reach

## Luminaire Parameters

Light source	2835		
SDCM	≤3 Step(ANSI)		
CRI	80\90		
CCT	2700\3000\4000\5000\6500\3CCT Dial Switch <sup>①</sup>		
Length (mm)	1198	1794	2390
Power (w)	38	60	75
Luminous flux(lm) (Normal version)	Up: 1175 Down: 3005	Up: 1855 Down: 4745	Up: 2320 Down: 5930
Luminous flux(lm) (High-efficiency version)	Up: 1690 Down: 3250	Up: 2600 Down: 5200	Up: 3250 Down: 6500
Light efficiency	110LM/ W, 130LM/ W		
Beam angle	110°		

\* The above parameters are based on Ra80, 4000K Light source.

① The color temperature range of the 3CCT dial switch is 3000K/4300K/6500K

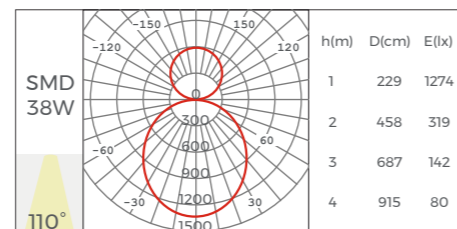
## Installation Accessories

Pendant cable (with junction box)	PY-D	
Pendant cable	PN-D	
Pendant rod	PG-I	
Pendant clip	CP-16 37X20X7mm	
Whole luminaire splicing bars	EX-41 110X15.5X11.7mm	

## Corner accessories

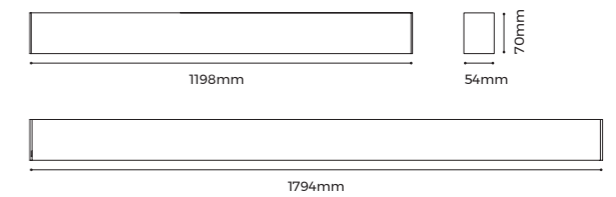
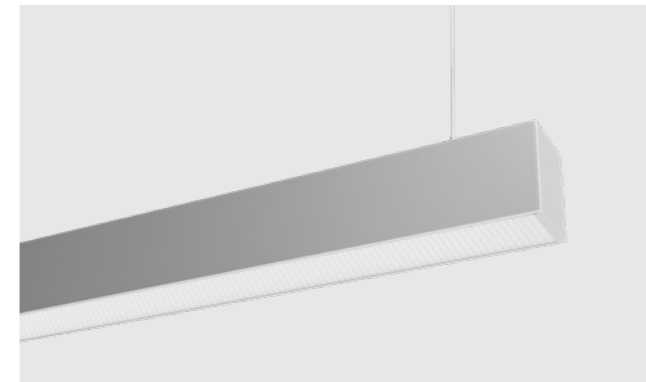
L-shaped	L90-BH5470 150X150X70mm	
T-shaped	T90-BH5470 300X177X70mm	
X-shaped	X90-BH5470 300X300X70mm	

\* Without light source



# BH5470FP

Prismatic



## Basic Parameters

Installation	Pendant
Lighting direction	Upward&Downward
Material	AL6063-T5, spraying surface/ anodizing
Coating	Silver anodized, Black, White
Dimming method	Non/ DALI-2+PUSH/1-10V/ Optional
Input voltage	AC220-240V
Application	Indoor
IP grade	IP20
Warranty	5 years
Certification	CE, CB, UKCA, ROHS, Reach

## Luminaire Parameters

Light source	2835	
SDCM	≤3 Step(ANSI)	
UGR	<19 (X=4H, Y=8H)	
CRI	80\90	
CCT	2700\3000\4000\5000\6500K	
Length (mm)	1198	1794
Power (w)	38	60
Luminous flux(lm) (Normal version)	Up: 1295 Down: 2465	Up: 2050 Down: 3890
Light efficiency	100LM/ W	
Beam angle	70°	

\* The above parameters are based on Ra80, 4000K Light source.

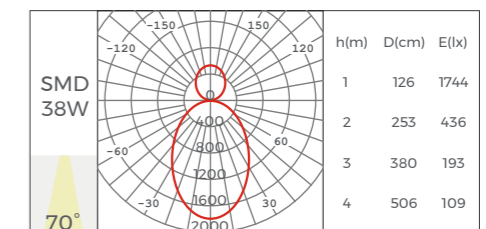
## Installation Accessories

Pendant cable (with junction box)	PY-D	
Pendant cable	PN-D	
Pendant rod	PG-I	
Pendant clip	CP-16 37X20X7mm	
Whole luminaire splicing bars	EX-41 110X15.5X11.7mm	

## Corner accessories

L-shaped	L90-BH5470 150X150X70mm	
T-shaped	T90-BH5470 300X177X70mm	
X-shaped	X90-BH5470 300X300X70mm	

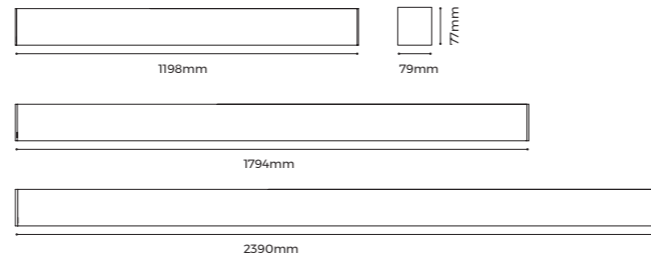
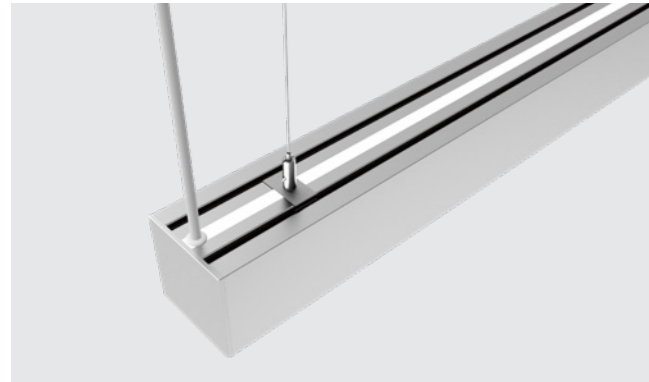
\* Without light source





# BH7977FD

Diffuser



### Basic Parameters

Installation	Pendant
Lighting direction	Upward&Downward
Material	AL6063-T5, spraying surface/ anodizing
Coating	Silver anodized, Black, White
Dimming method	Non/ DALI-2+PUSH/1-10V/ Tuya/ Casambi optional
Input voltage	AC220-240V
Application	Indoor
IP grade	IP20
Warranty	5 years (Emergency/ Tuya/ Casambi: 3 years)
Emergency lighting	3H optional
Certification	CE, CB, UKCA, ROHS, Reach

### Luminaire Parameters

Light source	2835		
SDCM	≤3 Step(ANSI)		
CRI	80\90		
CCT	2700\3000\4000\5000\6500\3CCT Dial Switch ①		
Length (mm)	1198	1794	2390
Power (w)	53	75	102
Luminous flux(lm) (Normal version)	Up: 1580 Down: 4250	Up: 2235 Down: 6015	Up: 3040 Down: 8180
Luminous flux(lm) (High-efficiency version)	Up: 1720 Down: 5170	Up: 2440 Down: 7310	Up: 3315 Down: 9945
Light efficiency	100LM/ W, 130LM/ W		
Beam angle	110°		

\* The above parameters are based on Ra80, 4000K Light source.

① The color temperature range of the 3CCT dial switch is 3000K/4300K/6500K

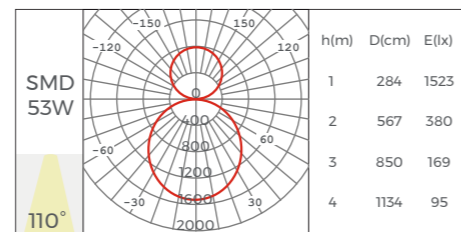
### Installation Accessories

Pendant cable (with junction box)	PY-D	
Pendant cable	PN-D	
Pendant rod	PG-I	
Pendant clip	CP-16 37X20X7mm	
Whole luminaire splicing bars	EX-41 110X15.5X11.7mm	

### Corner accessories

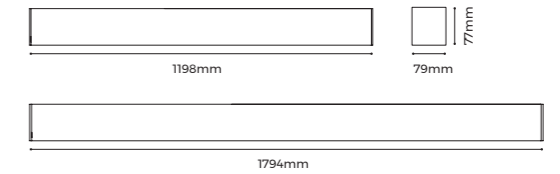
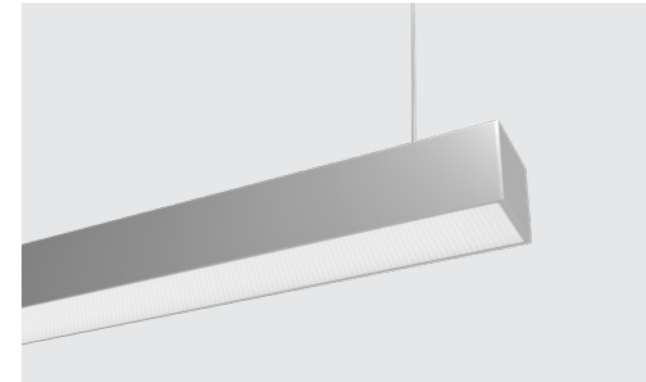
L-shaped	L90-BH7977 150X150X77mm	
T-shaped	L90-BH7977 300X189.5X77mm	
X-shaped	L90-BH7977 300X300X77mm	

\* Without light source



# BH7977FP

Prismatic



### Basic Parameters

Installation	Pendant
Lighting direction	Upward&Downward
Material	AL6063-T5, spraying surface/ anodizing
Coating	Silver anodized, Black, White
Dimming method	Non/ DALI-2+PUSH/1-10V/ Optional
Input voltage	AC220-240V
Application	Indoor
IP grade	IP20
Warranty	5 years
Certification	CE, CB, UKCA, ROHS, Reach

### Luminaire Parameters

Light source	2835	
SDCM	≤3 Step(ANSI)	
UGR	<19 (X=4H, Y=8H)	
CRI	80\90	
CCT	2700\3000\4000\5000\6500K	
Length (mm)	1198	1794
Power (w)	51	78
Luminous flux(lm) (Normal version)	Up: 1395 Down: 3565	Up: 2160 Down: 5520
Light efficiency	100LM/ W	
Beam angle	70°	

\* The above parameters are based on Ra80, 4000K Light source.

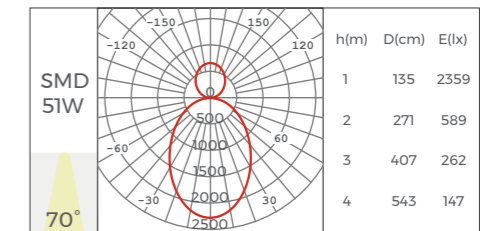
### Installation Accessories

Pendant cable (with junction box)	PY-D	
Pendant cable	PN-D	
Pendant rod	PG-I	
Pendant clip	CP-16 37X20X7mm	
Whole luminaire splicing bars	EX-41 110X15.5X11.7mm	

### Corner accessories

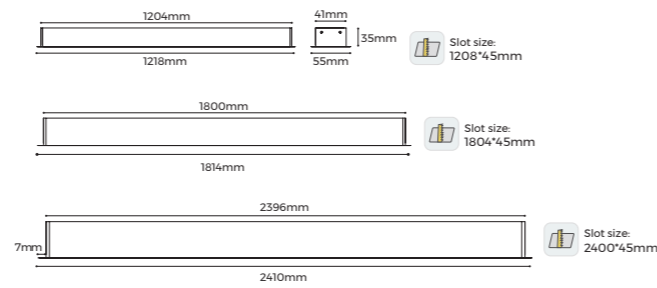
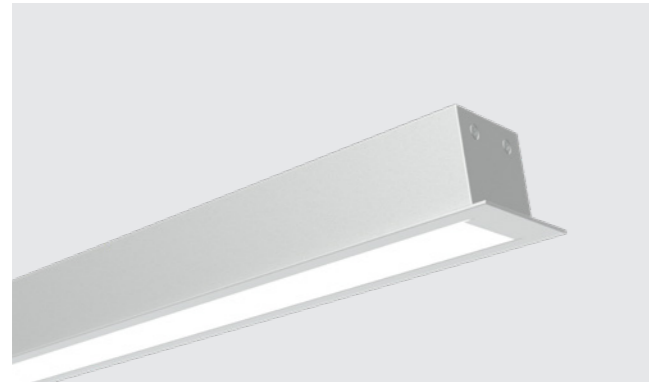
L-shaped	L90-BH7977 150X150X77mm	
T-shaped	T90-BH7977 300X189.5X77mm	
X-shaped	X90-BH7977 300X300X77mm	

\* Without light source



# BE5535FD

## Diffuser



### Basic Parameters

Installation	Recessed
Lighting direction	Downward
Material	AL6063-T5, spraying surface/ anodizing
Coating	Silver anodized, Black, White
Dimming method	Non/DALI-2+PUSH/1-10V/Tuya/Casambi optional
Input voltage	AC220-240V
Application	Indoor
IP grade	IP20
Warranty	5 years (Emergency/Tuya/Casambi: 3 years)
Emergency lighting	3H optional
Certification	CE, CB, UKCA, ROHS, Reach

### Luminaire Parameters

Light source	2835		
SDCM	≤3 Step(ANSI)		
CRI	80\90		
CCT	2700\3000\4000\5000\6500\3CCT Dial Switch <sup>①</sup>		
Length (mm)	1218	1814	2410
Power (w)	19	27	38
Luminous flux(lm) (Normal version)	1900	2700	3800
Luminous flux(lm) (High-efficiency version)	2370	3380	4750
Light efficiency	100LM/ W, 125LM/ W		
Beam angle	110°		

\* The above parameters are based on Ra80, 4000K Light source.

① The color temperature range of the 3CCT dial switch is 3000K/4300K/6500K

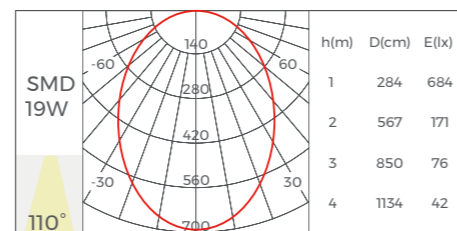
### Installation Accessories

Recessed accessory	RB-02 L68.5xW35xH31.6mm	
--------------------	----------------------------	--

### Corner accessories

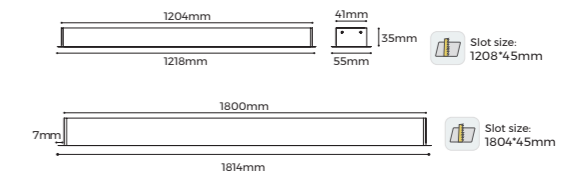
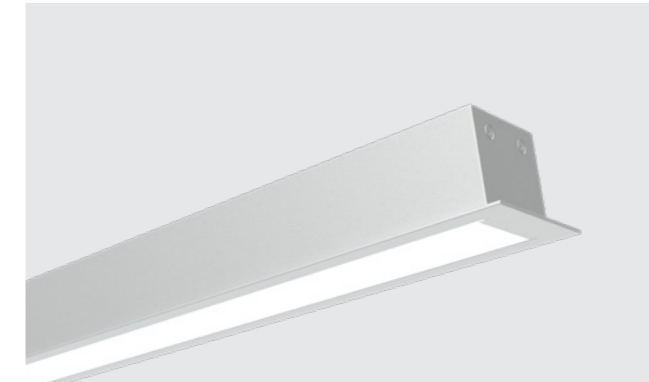
L-shaped	L90-BE5535 150X150X35mm	
L-shaped (Inward)	L90N-BE5535 150X150X55mm	
L-shaped (Outward)	L90W-BE5535 150X150X55mm	
T-shaped	T90-BE5535 300X177.5X35mm	
X-shaped	X90-BE5535 300X300X35mm	

\* Without light source



# BE5535FP

## Prismatic



### Basic Parameters

Installation	Recessed
Lighting direction	Downward
Material	AL6063-T5, spraying surface/ anodizing
Coating	Silver anodized, Black, White
Dimming method	Non/DALI-2+PUSH/1-10V/Optional
Input voltage	AC220-240V
Application	Indoor
IP grade	IP20
Warranty	5 years
Certification	CE, CB, UKCA, ROHS, Reach

### Luminaire Parameters

Light source	2835	
SDCM	≤3 Step(ANSI)	
UGR	<19 (X=4H, Y=8H)	
CRI	80\90	
CCT	2700\3000\4000\5000\6500K	
Length (mm)	1218	1814
Power (w)	19	27
Luminous flux(lm)	1710	2430
Light efficiency	90LM/ W	
Beam angle	70°	

\* The above parameters are based on Ra80, 4000K Light source.

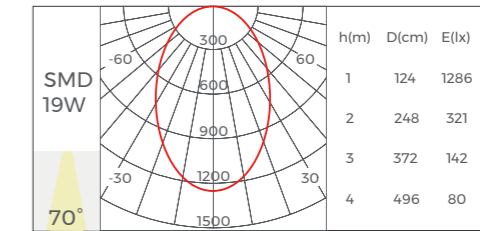
### Installation Accessories

Recessed accessory	RB-02 L68.5xW35xH31.6mm	
--------------------	----------------------------	--

### Corner accessories

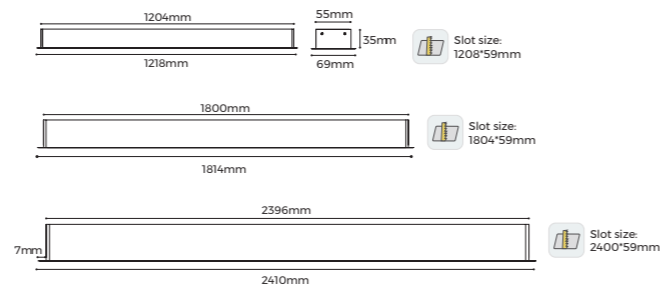
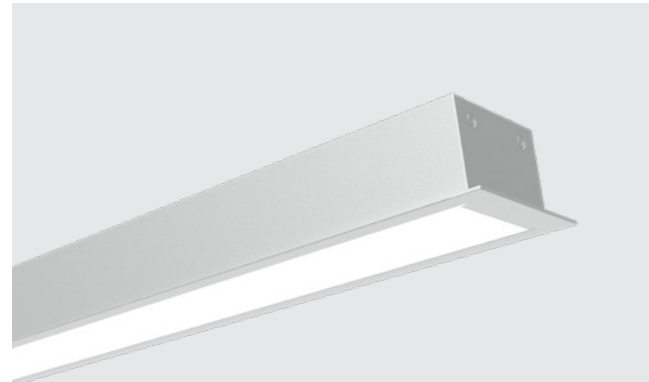
L-shaped	L90-BE5535 150X150X35mm	
L-shaped (Inward)	L90N-BE5535 150X150X55mm	
L-shaped (Outward)	L90W-BE5535 150X150X55mm	
T-shaped	T90-BE5535 300X177.5X35mm	
X-shaped	X90-BE5535 300X300X35mm	

\* Without light source



# BE6935FD

Diffuser



## Basic Parameters

Installation	Recessed
Lighting direction	Downward
Material	AL6063-T5, spraying surface/ anodizing
Coating	Silver anodized, Black, White
Dimming method	Non/DALI-2+PUSH/1-10V/Tuya/Casambi optional
Input voltage	AC220-240V
Application	Indoor
IP grade	IP20
Warranty	5 years (Emergency: Tuya/Casambi 3 years)
Emergency lighting	3H optional
Certification	CE, CB, UKCA, ROHS, Reach

## Luminaire Parameters

Light source	2835		
SDCM	≤3 Step(ANSI)		
CRI	80\90		
CCT	2700\3000\4000\5000\6500\3CCT Dial Switch <sup>①</sup>		
Length (mm)	1218	1814	2410
Power (w)	27	38	53
Luminous flux(lm) (Normal version)	2970	4180	5830
Luminous flux(lm) (High-efficiency version)	3510	4940	6890
Light efficiency	110LM/ W, 130LM/ W		
Beam angle	110°		

\* The above parameters are based on Ra80, 4000K Light source.

① The color temperature range of the 3CCT dial switch is 3000K/4300K/6500K

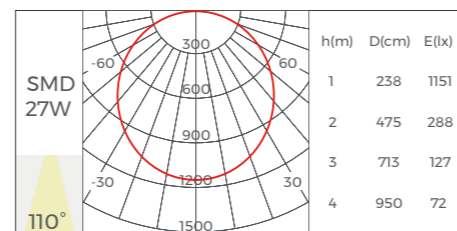
## Installation Accessories

Recessed accessory	RB-02 L68.5xW35xH31.6mm	
--------------------	----------------------------	--

## Corner accessories

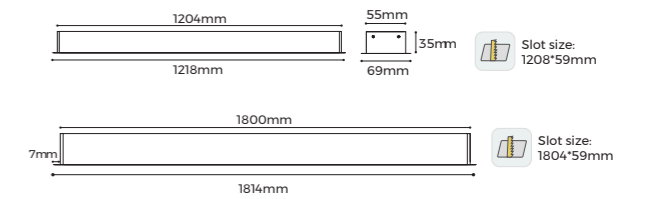
L-shaped	L90-BE6935 150X150X35mm	
L-shaped (Inward)	L90N-BE6935 150X150X69mm	
L-shaped (Outward)	L90W-BE6935 150X150X69mm	
T-shaped	T90-BE6935 300X184.5X35mm	
X-shaped	X90-BE6935 300X300X35mm	

\* Without light source



# BE6935FP

Prismatic



## Basic Parameters

Installation	Recessed
Lighting direction	Downward
Material	AL6063-T5, spraying surface/ anodizing
Coating	Silver anodized, Black, White
Dimming method	Non/DALI-2+PUSH/1-10V/Optional
Input voltage	AC220-240V
Application	Indoor
IP grade	IP20
Warranty	5 years
Certification	CE, CB, UKCA, ROHS, Reach

## Luminaire Parameters

Light source	2835	
SDCM	≤3 Step(ANSI)	
UGR	<19 (X=4H, Y=8H)	
CRI	80\90	
CCT	2700\3000\4000\5000\6500K	
Length (mm)	1218	1814
Power (w)	27	38
Luminous flux(lm)	2520	3550
Light efficiency	90LM/ W	
Beam angle	70°	

\* The above parameters are based on Ra80, 4000K Light source.

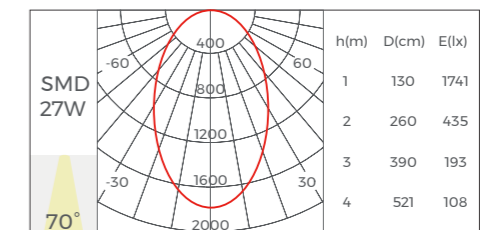
## Installation Accessories

Recessed accessory	RB-02 L68.5xW35xH31.6mm	
--------------------	----------------------------	--

## Corner accessories

L-shaped	L90-BE6935 150X150X35mm	
L-shaped (Inward)	L90N-BE6935 150X150X69mm	
L-shaped (Outward)	L90W-BE6935 150X150X69mm	
T-shaped	T90-BE6935 300X184.5X35mm	
X-shaped	X90-BE6935 300X300X35mm	

\* Without light source





# BE9435FD

Diffuser



### Basic Parameters

Installation	Recessed
Lighting direction	Downward
Material	AL6063-T5, spraying surface/ anodizing
Coating	Silver anodized, Black, White
Dimming method	Non/ DALI-2+PUSH/1-10V/ Tuya/ Casambi optional
Input voltage	AC220-240V
Application	Indoor
IP grade	IP20
Warranty	5 years (Emergency/ Tuya/ Casambi: 3 years)
Emergency lighting	3H optional
Certification	CE, CB, UKCA, ROHS, Reach

### Luminaire Parameters

Light source	2835		
SDCM	≤3 Step(ANSI)		
CRI	80\90		
CCT	2700\3000\4000\5000\6500\3CCT Dial Switch <sup>①</sup>		
Length (mm)	1218	1814	2410
Power (w)	38	60	75
Luminous flux(lm) (Normal version)	4180	6600	8250
Luminous flux(lm) (High-efficiency version)	4940	7800	9750
Light efficiency	110LM/ W, 130LM/ W		
Beam angle	110°		

\* The above parameters are based on Ra80, 4000K Light source.

① The color temperature range of the 3CCT dial switch is 3000K/4300K/6500K

# BE9435FP

Prismatic



### Basic Parameters

Installation	Recessed
Lighting direction	Downward
Material	AL6063-T5, spraying surface/ anodizing
Coating	Silver anodized, Black, White
Dimming method	Non/ DALI-2+PUSH/1-10V/ Optional
Input voltage	AC220-240V
Application	Indoor
IP grade	IP20
Warranty	5 years
Certification	CE, CB, UKCA, ROHS, Reach

### Luminaire Parameters

Light source	2835	
SDCM	≤3 Step(ANSI)	
UGR	<19 (X=4H, Y=8H)	
CRI	80\90	
CCT	2700\3000\4000\5000\6500K	
Length (mm)	1218	1814
Power (w)	34	51
Luminous flux(lm)	3280	4910
Light efficiency	95LM/ W	
Beam angle	70°	

\* The above parameters are based on Ra80, 4000K Light source.