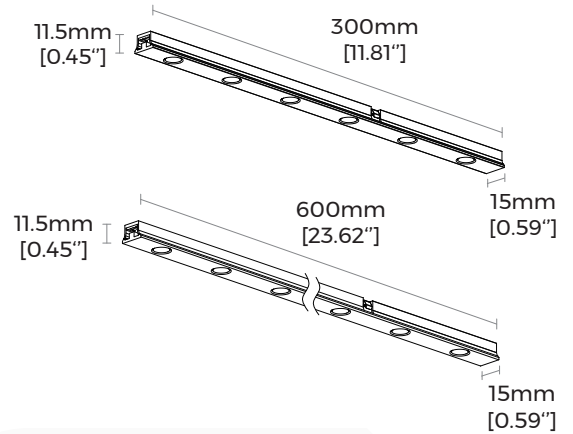


## 【Basic Parameters】

- Material: AL6063-T5, spraying surface
- Coating: Black (RAL9005)
- Length: 300mm/600mm optional
- IP grade: IP20
- CCT: 3000/4000K optional
- CRI: 90
- SDCM(Whole Luminaire): <5 Step (ANSI)
- SDCM(Light source): <3 Step (ANSI)
- Input voltage: DC48V
- Working temperature: -15 C ~35 C
- Lighting direction: Downward
- Dimming method: Non-dimming
- Application: Indoor
- Certification: CE, ROHS, Reach
- Warranty: 3 years



## 【Luminaire Parameters】

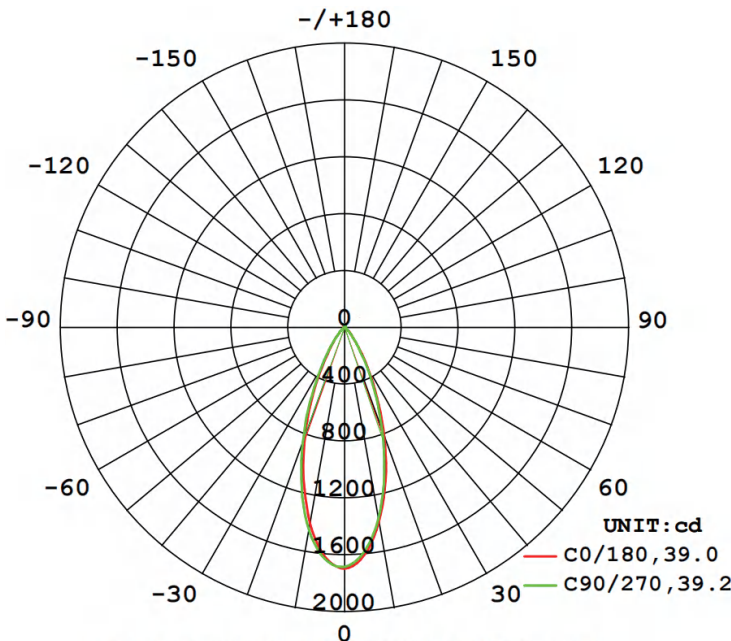
Version	Model	Length	Input Voltage (V)	Max. Current (A)	Type Power (W)	Max. Power (W)	CRI	Beam Angle	CCT	Lumen (LM)
Normal	Anti -glare	300mm [0.98ft]	48VDC	0.125 [0.13A/ft]	6.0 [6.12W/ft]	6.3 [6.43W/ft]	>90	38°	3000K	450 [460LM/ft]
									4000K	485 [495LM/ft]
								65°	3000K	450 [460LM/ft]
									4000K	485 [495LM/ft]
		600mm [1.97ft]		38°	3000K	900 [457LM/ft]				
					4000K	970 [492LM/ft]				
				65°	3000K	900 [457LM/ft]				
					4000K	970 [492LM/ft]				

Note:

1. The output data is based on the testing result of Ra90,3000K luminaires;
2. The tolerance of output data can be vary up to 10%;
3. The output data is typical value.

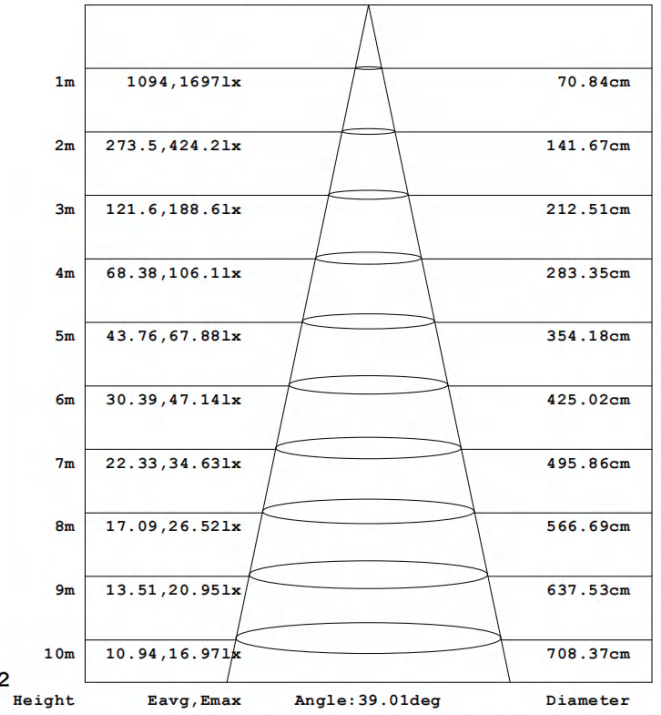
# [Optical Parameter]

· 600mm 38°



Luminous intensity distribution diagram

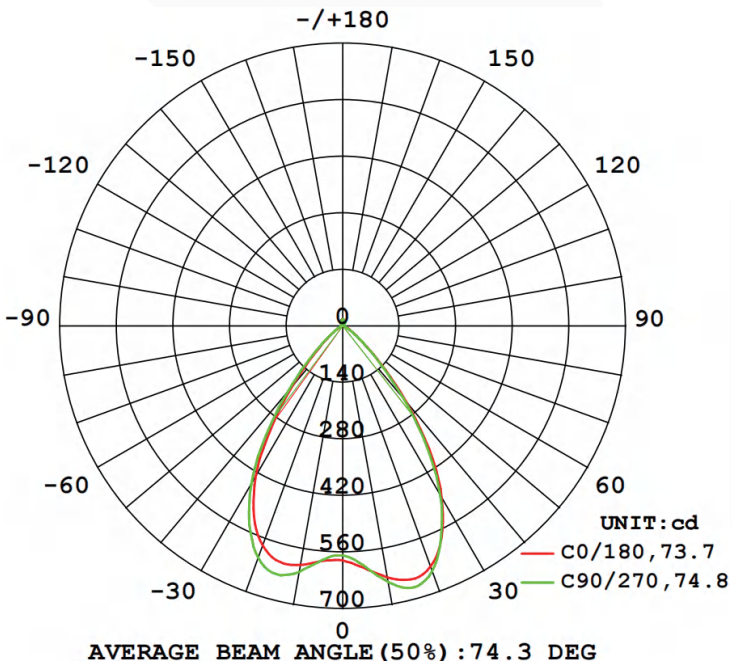
Flux out: 455.3 lm



Note: The Curves indicate the illuminated area and the average illumination when the luminaire is at different distance.

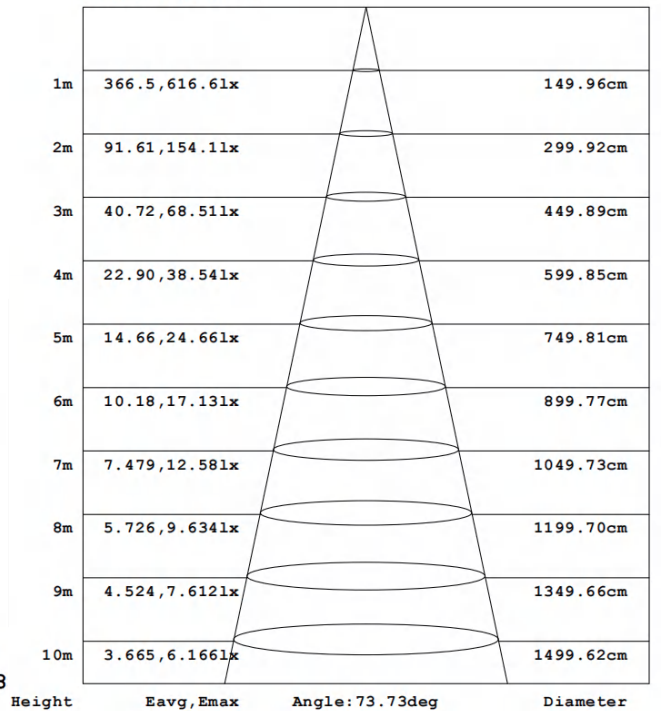
AAI Figure

· 600mm 65°



Luminous intensity distribution diagram

Flux out: 653.7 lm



Note: The Curves indicate the illuminated area and the average illumination when the luminaire is at different distance.

AAI Figure