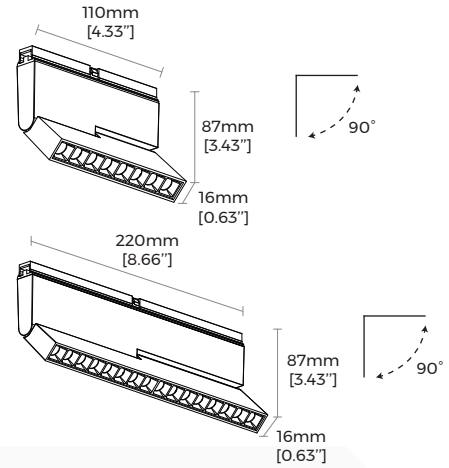


【Basic Parameters】

- Material: AL6063-T5, spraying surface
- Coating: Black (RAL9005)
- Length: 110mm/220mm optional
- IP grade: IP20
- CCT: 3000/4000K optional
- CRI: 90
- SDCM(Whole Luminaire): <5 Step (ANSI)
- SDCM(Light source): <3 Step (ANSI)
- Input voltage: DC48V
- Working temperature: -15 C ~35 C
- Lighting direction: Downward
- Dimming method: Non-dimming
- Application: Indoor
- Certification: CE, ROHS, Reach
- Warranty: 3 years



【Luminaire Parameters】

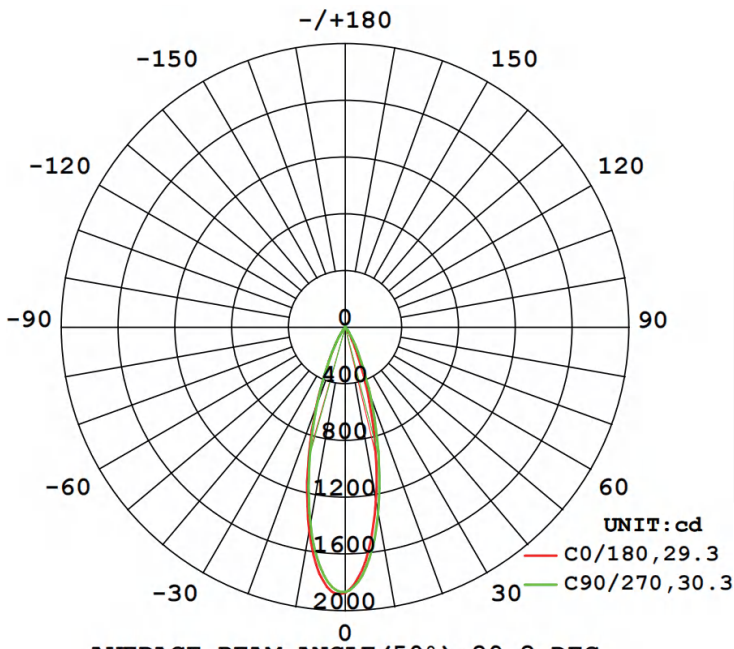
Version	Model	Length	Input Voltage (V)	Max. Current (A)	Type Power (W)	Max. Power (W)	CRI	Beam Angle	CCT	Lumen (LM)
Normal	Grille light flexx	110mm [0.36ft]	48VDC	0.167 [0.46A/ft]	8.0 [22.22W/ft]	8.4 [23.33W/ft]	>90	30°	3000K	560 [1556LM/ft]
									4000K	600 [1667LM/ft]
		220mm [0.72ft]		3000K	1115 [1549LM/ft]					
				4000K	1200 [1667LM/ft]					

Note:

1. The output data is based on the testing result of Ra90,3000k luminaires;
2. The tolerance of output data can be vary up to 10%;
3. The output data is typical value.

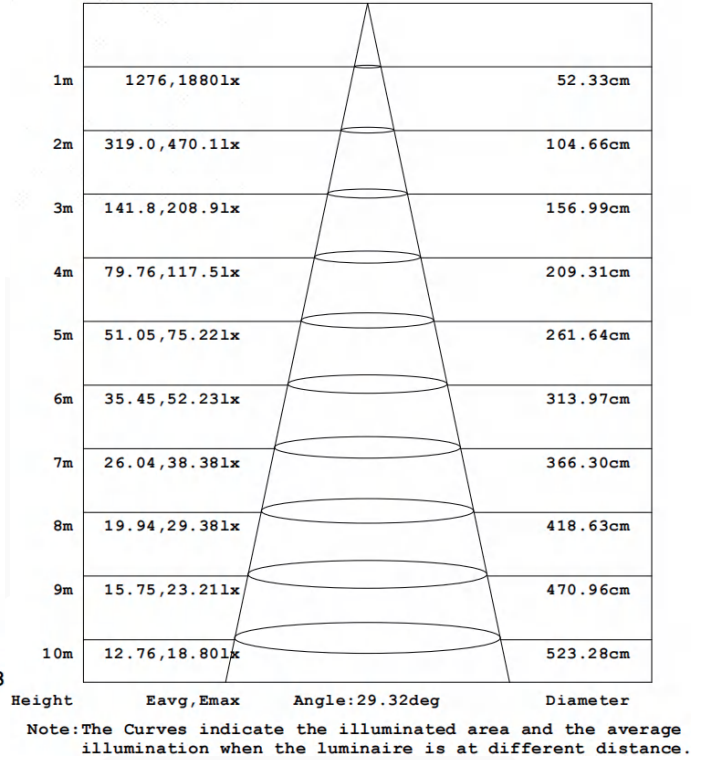
[Optical Parameter]

· 110mm



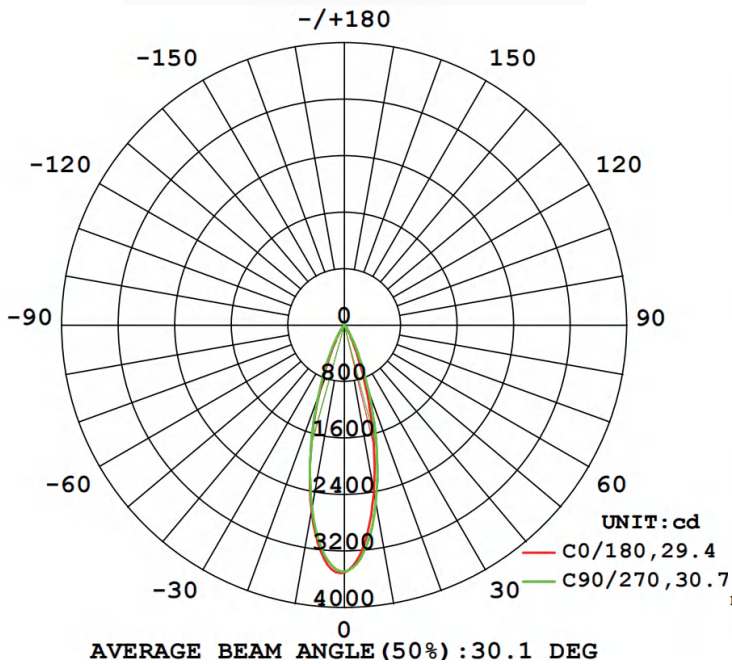
Luminous intensity distribution diagram

Flux out: 287.8 lm



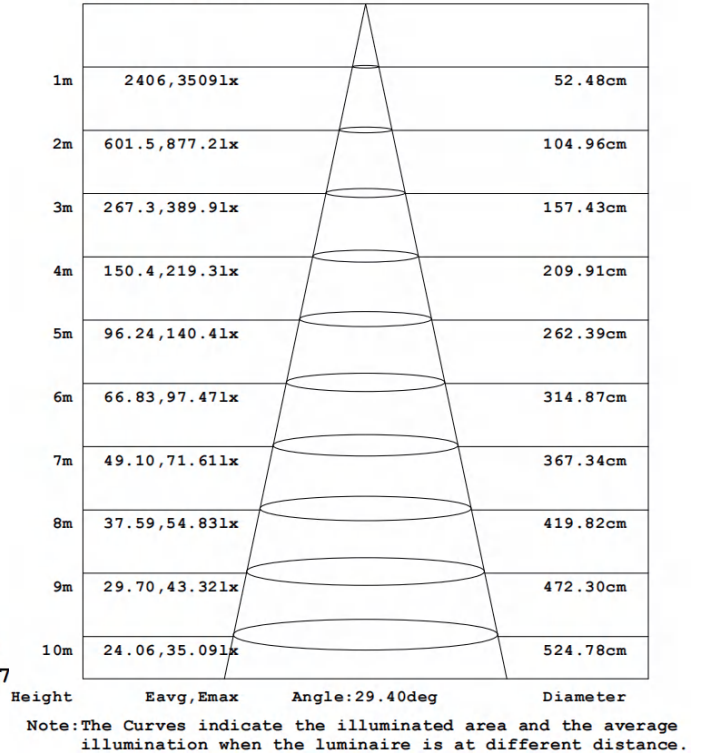
AAI Figure

· 220mm



Luminous intensity distribution diagram

Flux out: 542.7 lm



AAI Figure



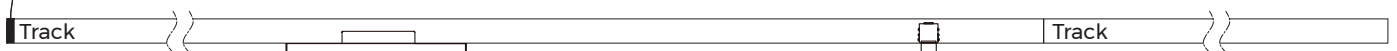
[Points to note]

⚡ 48V Power Supply



Total track Lengths≤20M

⚡ 48V Power Supply



Load≤300W

Supplementary power supplies are needed beside the Spotlights module / Decorative module / Linear modular under below one conditions:

1. Load > 300W on the track
2. Total track length > 20M