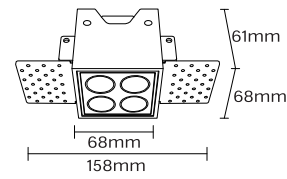
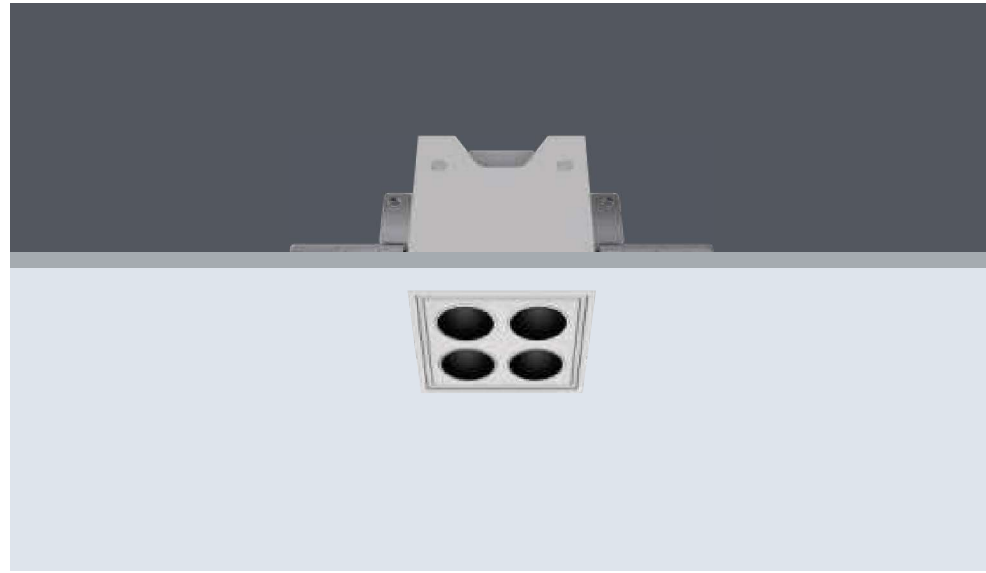


MAGICUBE TRIMLESS 4

NEW



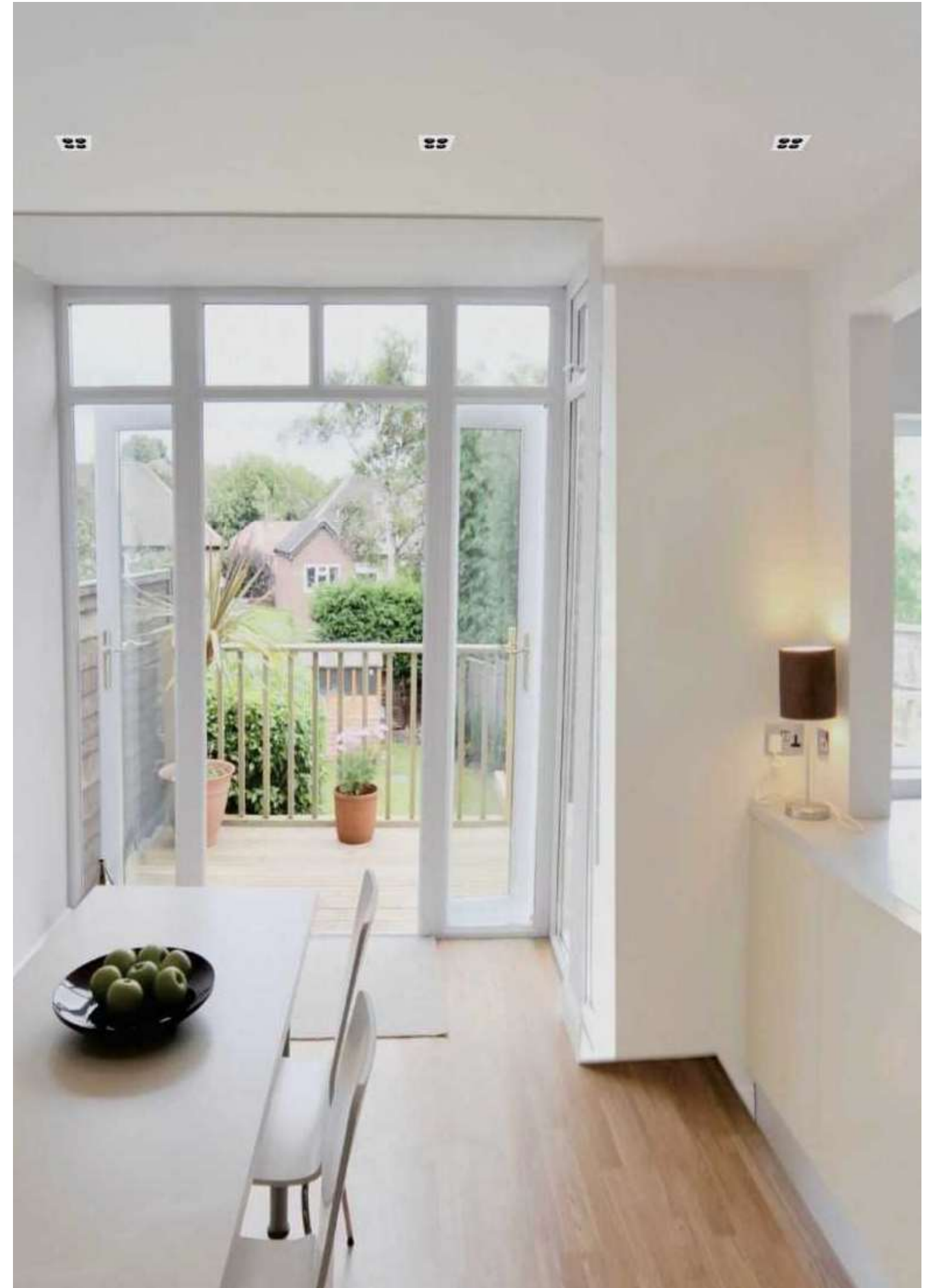
Ra>90 CRI Flicker-free UGR<13 Glare Index IP20 Protection

Basic Parameters

Product Name	Aluminum Material	Surface Processing	Optical cover	Installation	Applicable thickness	Size	Opening Size
Trimless pre-recessed Grille Light (4 heads)	ADC12	Oil Spraying	Black	Trimless Pre-recessed	5-25mm ceiling	158×68×68mm	95×71mm

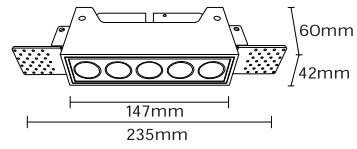
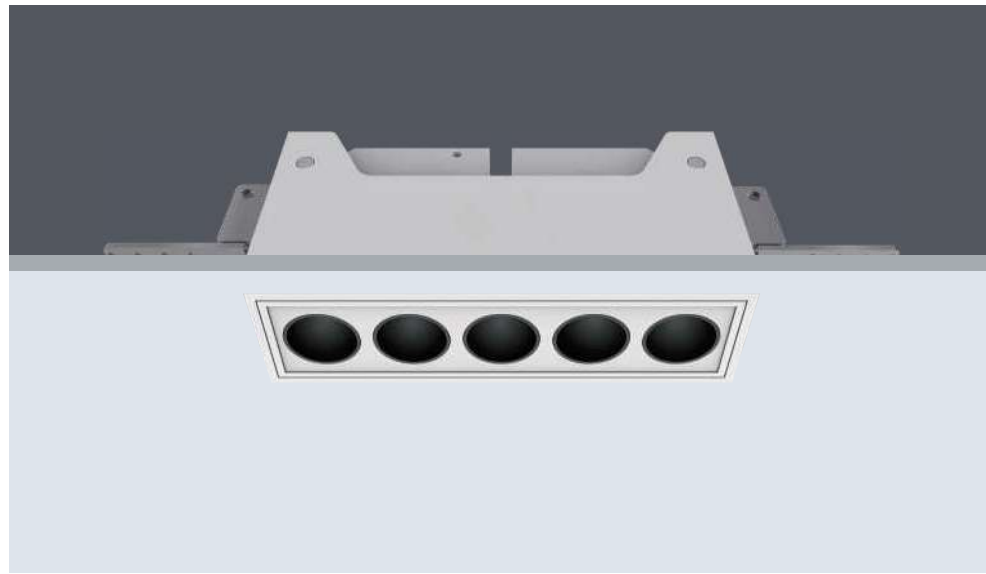
Photo-electric Parameters

Light Source	Input voltage	Typ.power	CRI	CCT	Lumens	Beam angle
SMD	220-240VAC	10W	Ra>90	3000 K 3500 K 4000 K	650LM	30°/45°



MAGICUBE TRIMLESS 5

NEW



Ra>90 CRI UGR<13 Glare Index Flicker-free IP20 Protection

Basic Parameters

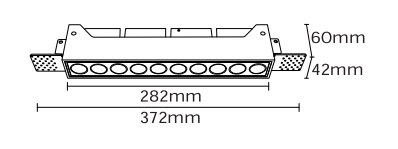
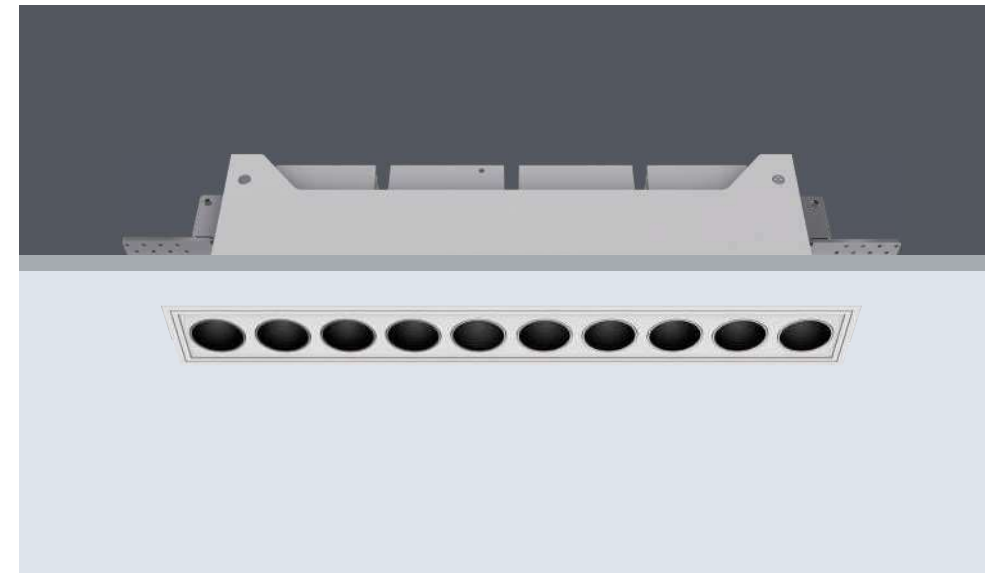
Product Name	Aluminum Material	Surface Processing	Optical cover	Installation	Applicable thickness	Size	Opening Size
Trimless pre-recessed Grille Light (5 heads)	ADC12	Oil Spraying	Black	Trimless Pre-recessed	5-25mm ceiling	237×42×65mm	175×44mm

Photo-electric Parameters

Light Source	Input voltage	Typ.power	CRI	CCT	Lumens	Beam angle
SMD	220-240VAC	13W	Ra>90	3000 K 3500 K 4000 K	845LM	30°/45°

MAGICUBE TRIMLESS 10

NEW



Ra>90 CRI UGR<13 Glare Index Flicker-free IP20 Protection

Basic Parameters

Product Name	Aluminum Material	Surface Processing	Optical cover	Installation	Applicable thickness	Size	Opening Size
Trimless pre-recessed Grille Light (10 heads)	ADC12	Oil Spraying	Black	Trimless Pre-recessed	5-25mm ceiling	372×42×65mm	310×44mm

Photo-electric Parameters

Light Source	Input voltage	Typ.power	CRI	CCT	Lumens	Beam angle
SMD	220-240VAC	25W	Ra>90	3000 K 3500 K 4000 K	1625LM	30°/43°