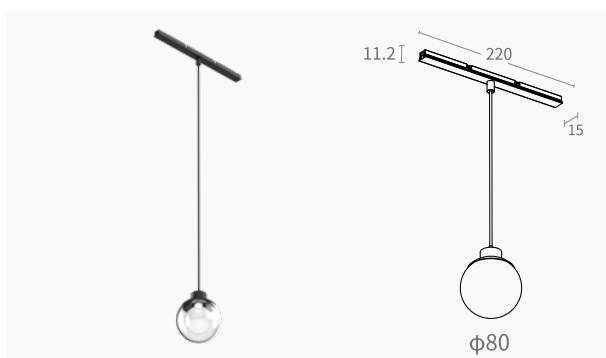


BULB



Basic Parameters

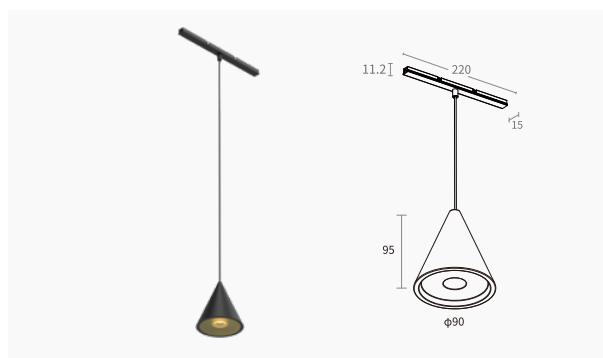
Material	AL6063
Coating	black
Size	φ80mm
Length of hanging wire	1200mm

Luminaire Parameters

Model	129.7S.06.3000.-
Light source	COB
Input voltage	48V
Power	3W
CRI	Ra>90
CCT	3000K/4000K
Beam angle	360°
Light efficiency*	70LM/W
Luminous flux*	210LM

* Light efficiency & Luminous flux parameters based on 3000K Light source
4000K Light efficiency & Luminous flux=3000K*1.08

BELL



Basic Parameters

Material	AL6063
Color	black
Size	φ90x95mm
Length of hanging wire	1200mm

Luminaire Parameters

Model	129.6.8.3000.-
Light source	COB
Input voltage	48V
Power	5W
CRI	Ra>90
CCT	3000K/4000K
Beam angle	30°
Light efficiency*	55LM/W
Luminous flux*	275LM

* Light efficiency & Luminous flux parameters based on 3000K Light source
4000K Light efficiency & Luminous flux=3000K*1.08