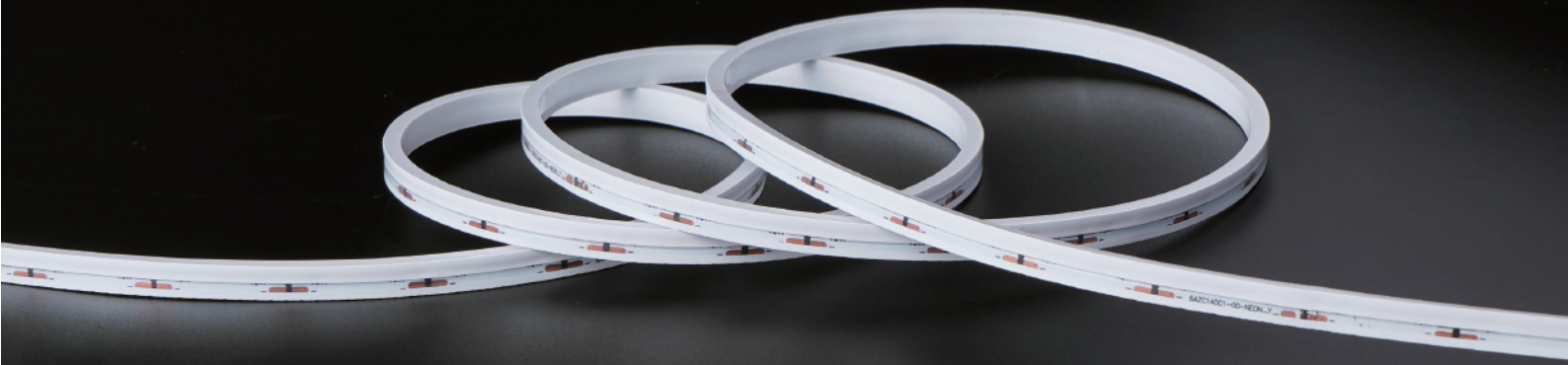


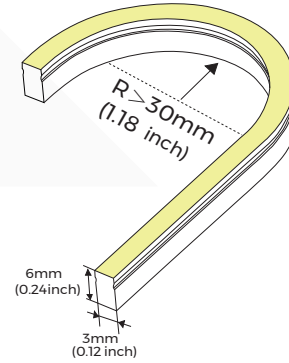
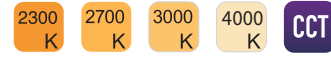
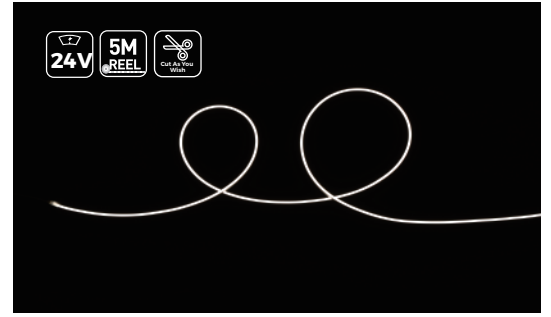
Neon Specification

S0306



【Features】

- Light source: High density, LM80 proved.
- Process & Material: High light transmittance, environmental silicone material, integrated extrusion molding technology.
- Optical Design: Unique optical light distribution structure design, uniform lighting surface and no shadow.
- Appearance Design: Super small model, compact and simple, unique design.
- Product Certification: CE, ROHS.
- Environmental Features: Resistance to saline solutions, acids & alkali, corrosive gases and UV.
- Working/Storage Temperature: Ta: -25~55°C / 0°C~60°C.
- Application: Interior outline, Furniture supporting lighting.
- Indoor 3-year warranty, working life \geq 36000 hours.



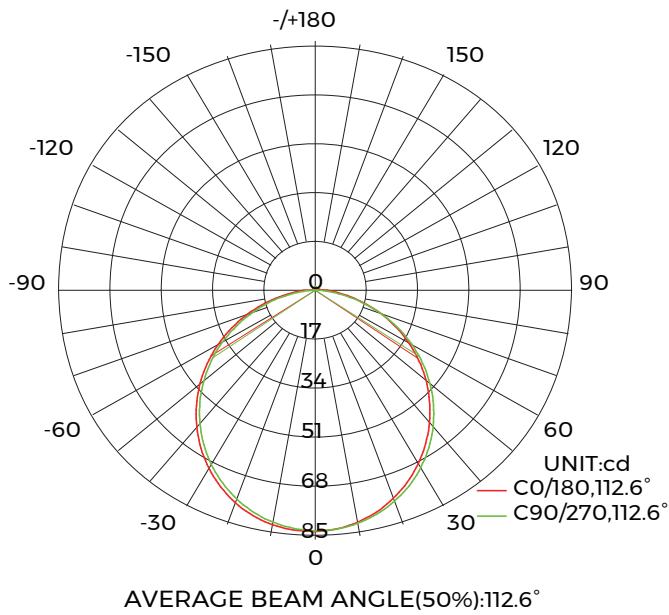
【Basic Parameters】

Model	CCT/colors	CRI	Rated current (A/m)	Rated power (w/m)	Maximum power (w/m)	Lumens (LM/m)	Standard Length	Remark
S0306-9XW12CSN050CC0500	2300K	>90	12	0.6 (0.18A/ft)	7.2 (2.19W/ft)	8.3 (2.53W/ft)	5000mm (16.4ft)	3LED/15.6mm
	2700K							
	3000K							
	4000K							
S0306-9XW24CSN050CC0500	2300K	>90	24	0.3 (0.09A/ft)	7.2 (2.19W/ft)	8.3 (2.53W/ft)	5000mm (16.4ft)	7LED/35.7mm
	2700K							
	3000K							
	4000K							
S0306-9LWNW12CSN050CC0500	2300K+4000K	>90	12	0.6 (0.18A/ft)	7.2 (2.19W/ft)	8.3 (2.53W/ft)	5000mm (16.4ft)	6LED/15.6mm
S0306-9LWNW24CSN050CC0500	2300K+4000K		24	0.3 (0.09A/ft)				215(65/ft)

Note:

1. The above data is the testing result of 1M standard product;
2. The lumens of output data can be vary up to $\pm 15\%$;
3. The above parameters are all typical values.
4. NMS0306 CCT is two-line product(Bipolar Characteristics).

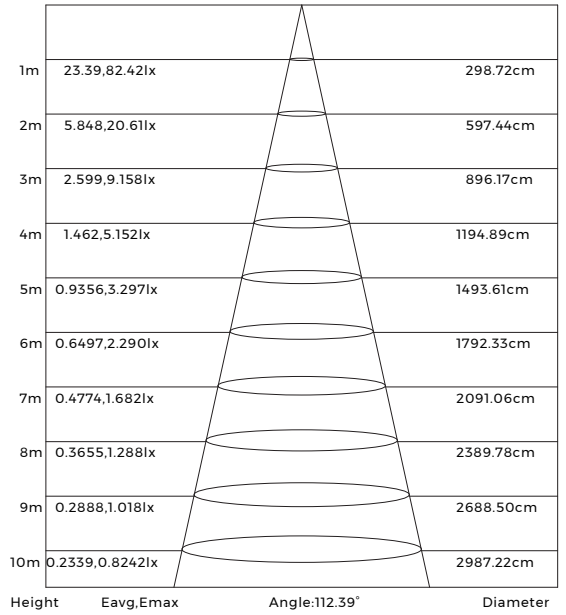
【Light Distribution】



Light distribution

Note: The above data is based on 24V monochrome 4000K color temperature. If you need other models of IES files, please download the corresponding models from the IES database.

Flux out: 174.2 lm

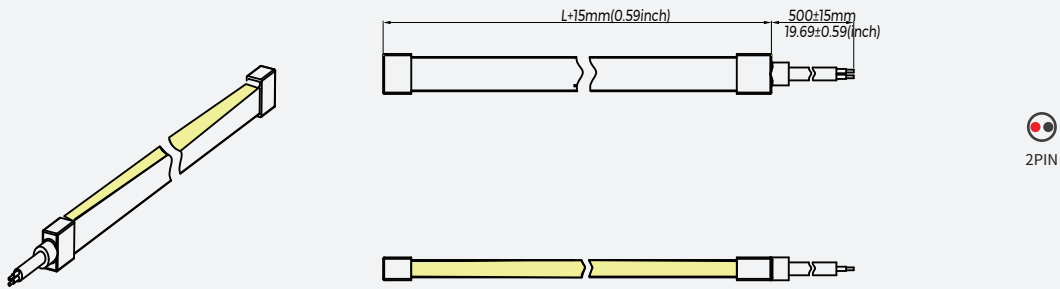


Note: The Curves indicate the illuminated area and the average illumination when the luminaire is at different distance.

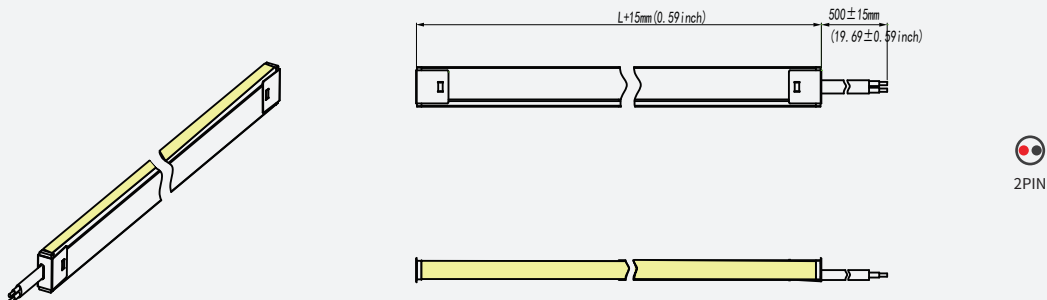
Effective average illuminance

【Product Mechanical Parameters】


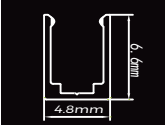

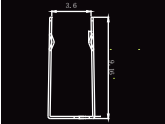

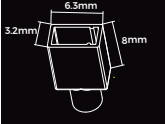


• IP54 Glued cap-top outlet







• IP54 Metal cap-top outlet



[Accessory Information]

Name	Description	Image	Sectional size	Ordering code	Quantity case (PCS)	net weight (kg)	Per box net weight (kg)	Gross weight (kg)	Packing (mm)	Remark
Alumina carrier	Flat mounting aluminum groove			AS-NMS0306A-1000	442	0.0244	10.78	11.94	1180*125*115	Size: L1000*W4.8*H6.6mm
Metal end cap kit	Metal end cap kit			AS-NMS0306TSH0-EC	2000	0.0006	1.25	1.55	250*250*150	/
End cap set	End cap set, including end cap and plug (outlet from the top direction)			AS-NMS0306CH0-EC	800	0.0003	0.24	0.5	250*250*150	
Glue	588G acidic glue		/	AS-PG-0002	800	0.0035	1.44	1.7	250*250*150	10ml/pcs
Gray wire	2PIN Gray wire (0.5M)		/	AS-WS-0025	200	0.0077	1.54	1.84	250*250*150	/
Gray wire	2PIN Gray wire (2M)			AS-WS-0026	100	0.031	3.1	3.4		

[Product control system solutions]

Product Image	product name	Product number	Order code	Product specifications	Applicable Products
	Monochrome remote	CK1-GBA	402-02-000000-00001	output signal: RF Working voltage: 3VDC (CR2032) Remote control distance: 30m Working temperature: Ta: 0-30 °C-0+55 °C	Monochrome light strip (Use with CR1-GBA)
	Monotone light controller	CR1-GBA	402-01-000000-00001	Input voltage: DC12-48V Output current: 15A@12V/24V, 10A@36V/48V Output Power: Max 180W@12V/Max 360W@24V/Max 360W@36V/Max 480W@48V Working temperature: -30°C- +55°C	Monochrome light strip (Use with CR1-GBA)
	CCT remote control (double polarity)	RT2	402-02-000000-00006	output signal: RF Working voltage: 3VDC (CR2032) Remote control distance: 30m Working temperature: -30 °C~ +55 °C	CCT light strip (double polarity) (Use with V2-SL)
	Color temperature controller (double polarity)	V2-SL	402-01-000000-00031	Input voltage: DC12-36V Output current: 10A Output Power: 120W-360W Working temperature: -30°C- +55°C	CCT light strip (double polarity) (Use with RT2)