

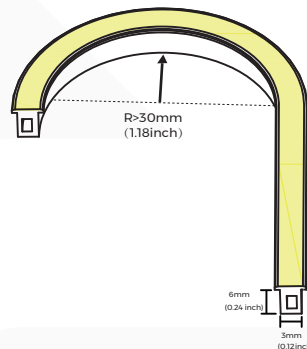
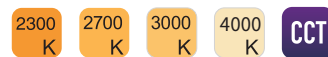
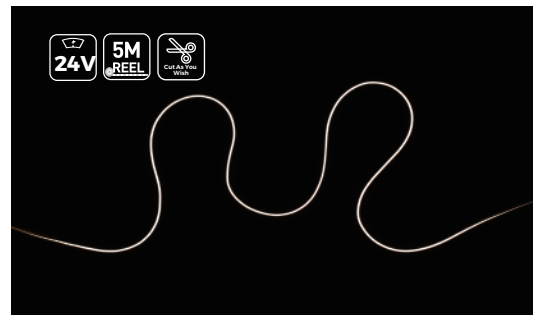
Neon Specification

S0306T



【Features】

- Light source: High density, LM80 proved.
- Process & Material: High light transmittance, environmental silicone material, integrated extrusion molding technology.
- Optical Design: Unique optical light distribution structure design, uniform lighting surface and no shadow.
- Appearance Design: Super small model, with edge embedding design, easy to install furniture laminates.
- Product Certification: CE, ROHS.
- Environmental Features: Resistance to saline solutions, acids & alkali, corrosive gases and UV.
- Working/Storage Temperature: Ta:-25~55°C / 0°C~60°C.
- Application: Interior outline, Furniture supporting lighting.
- Indoor 3-year warranty, working life \geq 36000 hours.



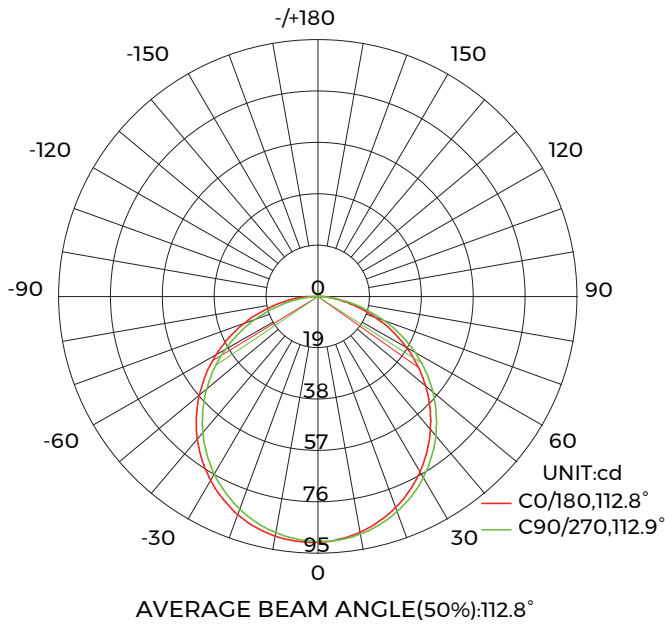
【Basic Parameters】

Model	CCT/colors	CRI		Rated current (A/m)	Rated power (w/m)	Maximum power (w/m)	Lumens (LM/m)	Standard Length	Remark		
S0306T-9XW12CSN050CC0500	2300K	>90	12	0.6 (0.18A/ft)	7.2 (2.19W/ft)	8.3 (2.53W/ft)	180(54/ft)	5000mm (16.4ft)	3LED/15.6mm		
	2700K						185(56/ft)				
	3000K						200(60/ft)				
	4000K						220(67/ft)				
S0306T-9XW24CSN050CC0500	2300K		24	0.3 (0.09A/ft)	7.2 (2.19W/ft)	8.3 (2.53W/ft)	230(70/ft)		5000mm (16.4ft)	7LED/35.7mm	
	2700K						230(70/ft)				
	3000K						230(70/ft)				
	4000K						280(85/ft)				
S0306T-9LWNW12CSN050CC0500	2300K+4000K		12	0.6 (0.18A/ft)	7.2 (2.19W/ft)	8.3 (2.53W/ft)	140(42/ft)			5000mm (16.4ft)	6LED/15.6mm
S0306T-9LWNW24CSN050CC0500	2300K+4000K						24				0.3 (0.09A/ft)

Note:

1. The above data is the testing result of 1M standard product;
2. The lumens of output data can be vary up to $\pm 15\%$;
3. The above parameters are all typical values;
4. Standard glue plugs are shipped;
5. NMS0306T CCT is two-line product(Bipolar Characteristics).

【Light Distribution】



Light distribution

Note: The above data is based on 24V monochrome 4000K color temperature. If you need other models of IES files, please download the corresponding models from the IES database.

Flux out:192.6 lm

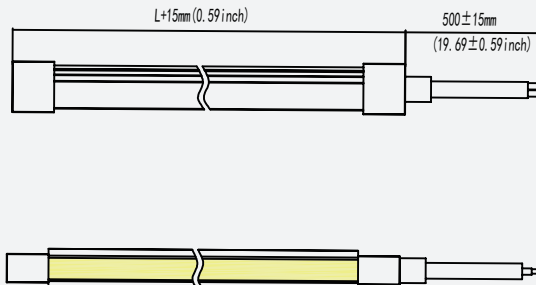
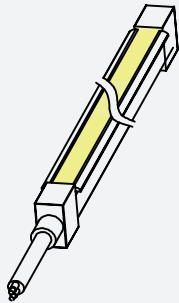
Height	Eavg,Emax	Angle:112.61°	Diameter
1m	25.85,90.97lx		299.97cm
2m	6.463,22.74lx		599.93cm
3m	2.872,10.11lx		899.90cm
4m	1.616,5.685lx		1199.87cm
5m	1.034,3.639lx		1499.83cm
6m	0.7181,2.527lx		1799.80cm
7m	0.5276,1.856lx		2099.77cm
8m	0.4039,1.421lx		2399.73cm
9m	0.3191,1.123lx		2699.70cm
10m	0.2585,0.9097lx		2999.67cm

Note: The Curves indicate the illuminated area and the average illumination when the luminaire is at different distance.

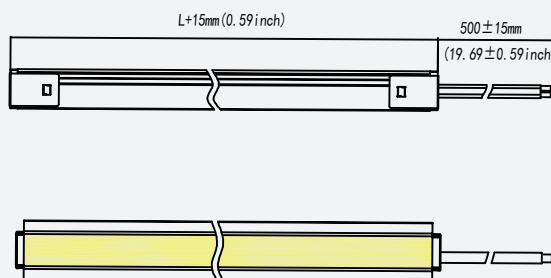
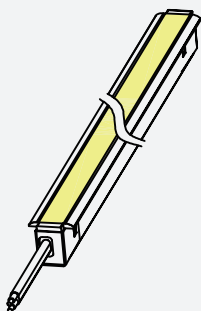
Effective average illuminance

【Product Mechanical Parameters】


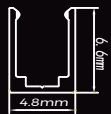



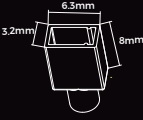


- IP54 Glued cap-top outlet







- IP54 Metal cap-top outlet



[Accessory Information]

Name	Description	Image	Sectional size	Ordering code	Quantity case (PCS)	net weight (kg)	Per box net weight (kg)	Gross weight (kg)	Packing (mm)	Remark
Alumina carrier	Flat mounting aluminum groove			AS-NMS0306A-1000	442	0.0244	10.78	11.94	1180*125*115	Size: L1000*W4.8*H6.6mm
Metal end cap kit	Metal end cap kit			AS-NMS0306TSH0-EC	2000	0.0006	1.25	1.55	250*250*150	/
End cap set	End cap set, including end cap and plug (outlet from the top direction)			AS-NMS0306GH0-EC	800	0.0003	0.24	0.5	250*250*150	/
Glue	588G acidic glue		/	AS-PC-0002	800	0.0035	1.44	1.7	250*250*150	10ml/pcs
Gray wire	2PIN Gray wire (0.5M)		/	AS-WS-0025	200	0.0077	1.54	1.84	250*250*150	/
Gray wire	2PIN Gray wire (2M)			AS-WS-0026	100	0.031	3.1	3.4		

[Product control system solutions]

Product Image	product name	Product number	Order code	Product specifications	Applicable Products
	Monochrome remote	CK1-GBA	402-02-000000-00001	output signal: RF Working voltage: 3VDC (CR2032) Remote control distance: 30m Working temperature: Ta: 0-30 °C-0+55 °C	Monochrome light strip (Use with CR1-GBA)
	Monochrome light controller	CR1-GBA	402-01-000000-00001	Input voltage: DC12-48V Output current: 15A@12V/24V, 10A@36V/48V Output Power: Max 180W@12V/Max 360W@24V/Max 360W@36V/Max 480W@48V Working temperature: -30°C- +55°C	Monochrome light strip (Use with CR1-GBA)
	CCT remote control (double polarity)	RT2	402-02-000000-00006	output signal: RF Working voltage: 3VDC (CR2032) Remote control distance: 30m Working temperature: -30 °C~ +55 °C	CCT light strip (double polarity) (Use with V2-SL)
	Color temperature controller (double polarity)	V2-SL	402-01-000000-00031	Input voltage: DC12-36V Output current: 10A Output Power: 120W-360W Working temperature: -30°C- +55°C	CCT light strip (double polarity) (Use with RT2)