



# Rose Series Projector



ROSE LARGE



ROSE MEDIUM

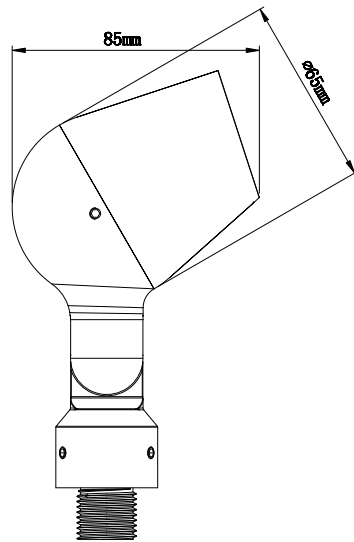


**NEW**

ROSE MINI



ROSE 1.0



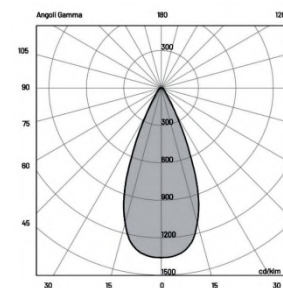
## Technical Parameter

Total wattage	LT-SL-3/6W
Voltage	220-240/120-277Vac / 12-24Vdc
LED	Bridgelux COB
Luminous flux	255/510lm
Luminous efficacy	85lm/w@3000K
CCT	3000/4000/5000K
McADAM steps	3
Beam	15/24/36/60°
CRI	80/90
Life time	L 70>50.000h Ta 25°C L 70>50.000h Ta 40°C
IP rating	66 Luminaire dust-tight and sealed against temporary immersion
Ik rating Insulation class	08 Luminaire protected against an impact energy of 5 Joules I Luminaire with basic insulation. Protection: connection of the accessible metal parts to the earthing protection.

## Materials

Body	Die-cast aluminium EN47100
Diffuser	Tempered glass/PC reflector
Finishing	Polyester powder paint
RAL	Black9005

## Photometry

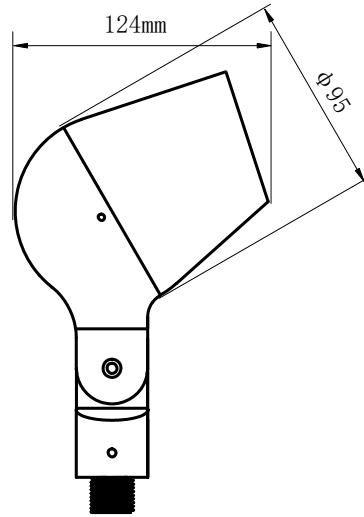


## E (lux)

H (m)	lux (3000 K)	Ø (m)
1.00	923	0.82
2.00	231	1.64
3.00	103	2.46
4.00	58	3.28
5.00	37	4.10



ROSE 2.0



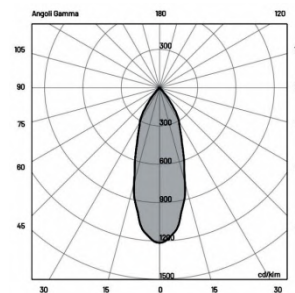
## Technical Parameter

Total wattage	LT-SL-10/15/20W
Voltage	220-240/120-277Vac / 12-24Vdc
LED	Bridgelux COB
Luminous flux	1030/1545/2060lm
Luminous efficacy	103lm/w@3000K
CCT	3000/4000/5000K
McADAM steps	3
Beam	15/24/36/60/40×70°
CRI	80/90
Life time	L 70>50.000h Ta 25°C L 70>50.000h Ta 40°C
IP rating	66 Luminaire dust-tight and sealed against temporary immersion
Ik rating Insulation class	08 Luminaire protected against an impact energy of 5 Joules I Luminaire with basic insulation. Protection: connection of the accessible metal parts to the earthing protection.

## Materials

Body	Die-cast aluminium EN47100
Diffuser	Tempered glass/PC reflector
Finishing	Polyester powder paint
RAL	Black9005

## Photometry



## E (lux)

H(m)	lux(3000 K)	lux(4000 K)	Ø(m)
1.00	2184	2261	0.7
2.00	546	565	1.4
3.00	243	251	2
4.00	137	141	2.7
5.00	87	90	3.4



**NEW**

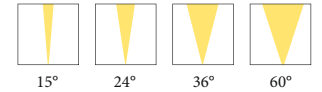
210mm



GS Ground Stake 1.0  
Material: PC



ROSE 1.1  
Ø65mm 3/6W  
255/510lm



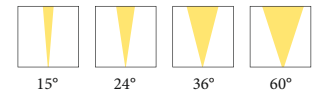
300mm



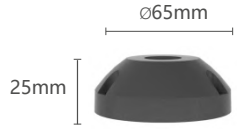
GS Ground Stake 1.1  
Material: PC



ROSE 2.1  
Ø95mm 10/15/20W  
1030/1545/2060lm



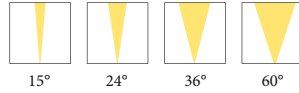
**NEW**



SSB Surface Base Mount  
Material: Die-cast aluminum



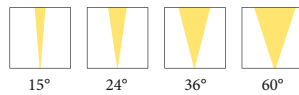
ROSE 1.2  
Ø65mm 3/6W  
255/510lm



SB Surface Base Mount  
Material: Die-cast aluminum

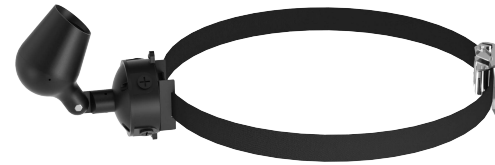


ROSE 2.2  
Ø95mm 10/15/20W  
1030/1545/2060lm

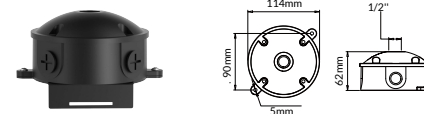
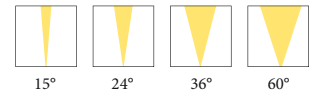




ROSE 1.3  
 Ø65mm 3/6W  
 255/510lm



ROSE 2.3  
 Ø95mm 10/15/20W  
 1030/1545/2060lm

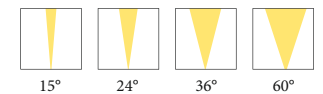


TM Tree Mount 1.0  
 Material: Polyester + aluminum length:2m

ROSE 1.4  
 Ø65mm 3/6w  
 255/510lm



ROSE 2.4  
 Ø95mm 10/15/20w  
 1030/1545/2060lm



TRM Tree ring Mount 2.0  
 Material: 304 stainless steel

## ROSE RGBW

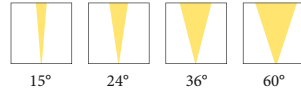
Ø95mm 9w

Ø145mm 24/36W

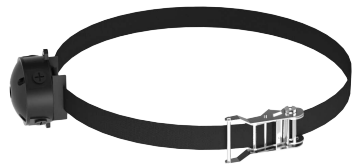
Way to control:

Bluetooth/DMX512/2.4G

Voltage: DC24V



Surface Mount

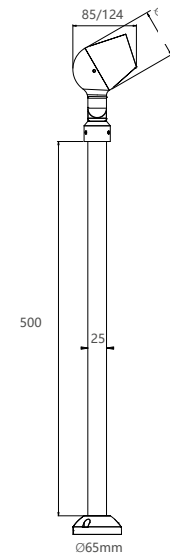


Tree Mount



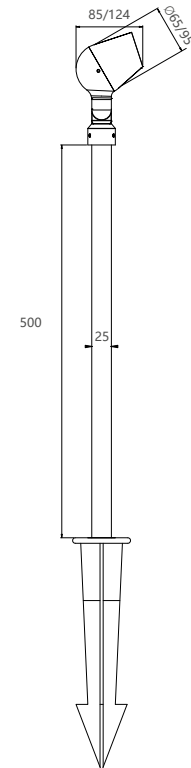
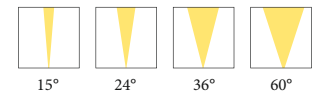
(Coupler) Pole Mount





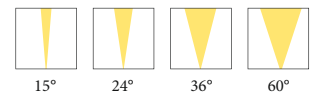
**ROSE 1.5**  
Ø65mm 3/6W  
255/510lm

**ROSE 2.5**  
Ø95mm 10/15/20W  
1030/1545/2060lm



**ROSE 1.6**  
Ø65mm 3/6W  
255/510lm

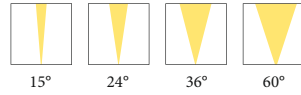
**ROSE 2.6**  
Ø95mm 10/15/20W  
1030/1545/2060lm





ROSE 1.7  
Ø65mm 3/6W  
255/510lm

ROSE 2.7  
Ø95mm 10/15/20W  
1030/1545/2060lm



3500mm

Ø 60 mm CYLINDRICAL POLE  
Pole total height 3500mm



Coupler  
Material: Aluminum alloy Suitable  
for φ60-200mm pole

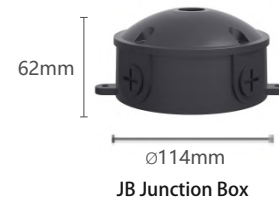
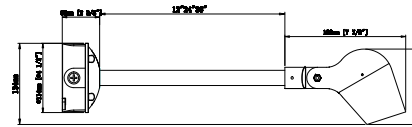
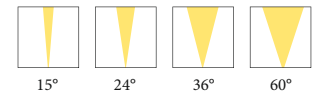




ROSE 1.8  
 Ø65mm 3/6W  
 255/510lm



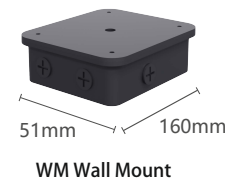
ROSE 2.8  
 Ø95mm 10/15/20W  
 1030/1545/2060lm



Material: Die-cast aluminum  
 IP65  
 Fiver conduit entries



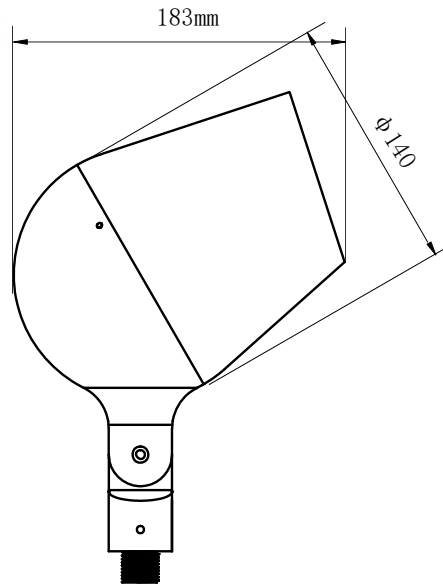
Material: Aluminum profile  
 Specification: Thickness 4mm, φ25mm  
 \*Length can be customized



Material: Die-cast aluminum  
 IP65  
 Fiver conduit entries



ROSE 3.0



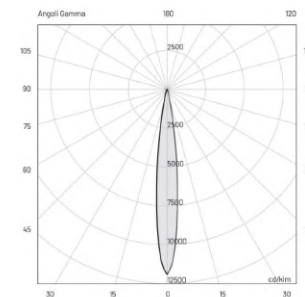
## Technical Parameter

Total wattage	LT-SL-30/40/60W
Voltage	220-240/120-277Vac $\bar{I}$
LED	Bridgelux COB
Luminous flux	3150/4200/6300lm
Luminous efficacy	105lm/w@3000K
CCT	3000/4000/5000K
McADAM steps	3
Beam	15/24/36/60/40 $\times$ 70 $^{\circ}$
CRI	80/90
Life time	L 70>50.000h Ta 25 $^{\circ}$ C L 70>50.000h Ta 40 $^{\circ}$ C
IP rating	66 Luminaire dust-tight and sealed against temporary immersion
Ik rating	08 Luminaire protected against an impact energy of 5Joules
Insulation class	I Luminaire with basic insulation. Protection: connection of the accessible metal parts to the earthing protection.
Options	DALI control / RGBW 512DMX

## Materials

Body	Die-cast aluminium EN47100
Diffuser	Tempered glass/PC reflector
Finishing	Polyester powder paint
RAL	Black9005

## Photometry

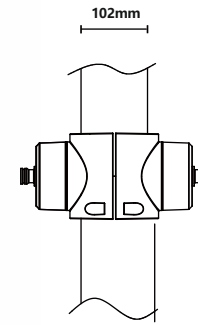
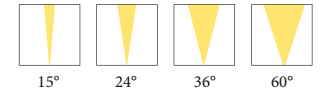


## E (lux)

H(m)	lux (3000 K)	$\varnothing$ (m)
1.00	32120	0.23
2.00	8030	0.45
3.00	3565	0.68
4.00	2008	0.90
5.00	1285	1.13



ROSE 3.1  
Ø145mm 30/40/60W  
3150/4200/6300lm



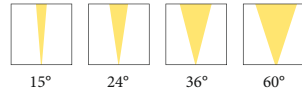
Flange (Unilateral)



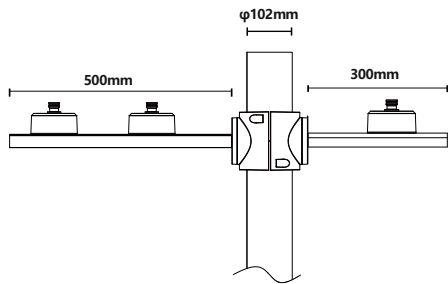
Flange (Bilateral)

Material: die-cast aluminum

ROSE 3.2  
Ø145mm 30/40/60W  
3150/4200/6300lm

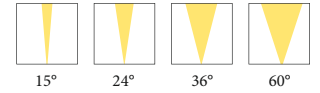


Arm for pole mounting  
Material: die-cast aluminum

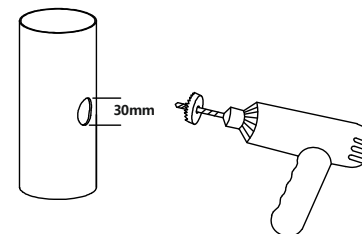




ROSE 3.3  
Ø145mm 30/40/60W  
3150/4200/6300lm

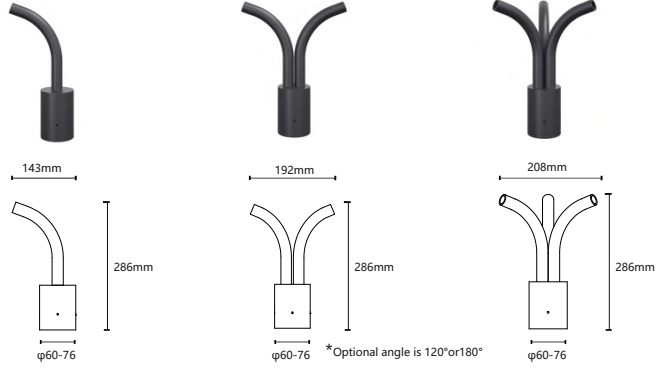
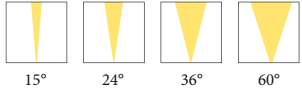


**Coupler**  
Material: Aluminum alloy  
Suitable for  $\varnothing 60-200\text{mm}$  pole



ROSE 3.4  
Ø145mm 30/40/60W  
3150/4200/6300lm

LIGHTORIA  
LIGHT THAT INSPIRES



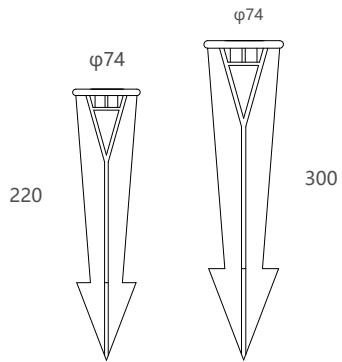
**Candlestick**  
Material: steel  
Suitable for φ60-76mm pole





## DESIGNED TO COMPLEMENT

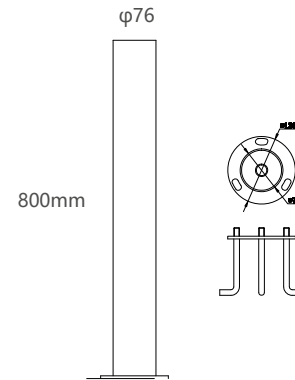
ROSE offers an assortment of fixture accessories to enhance your design. From various spikes and riser heights to mounting kits, lens options and more. There's an accessory to make your vision a reality.



**GS Ground Stake 1.0**  
Material: PC



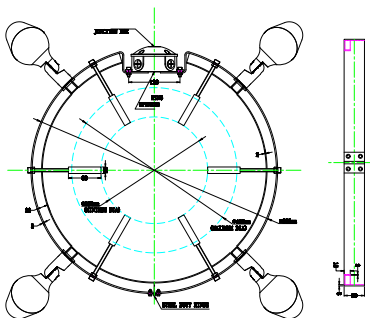
**GS Ground Stake 2.0**  
Material: PVC  
\*Can be customized in different lengths



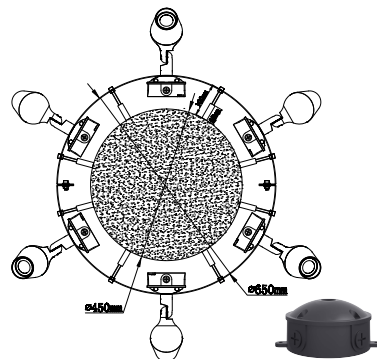
**Ground Stake 3.0**  
Material: steel  
\*Can be customized in different lengths



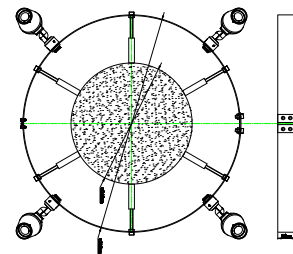
**TRM Tree Mount 1.0**  
Material: Polyester + aluminum  
length: 2m



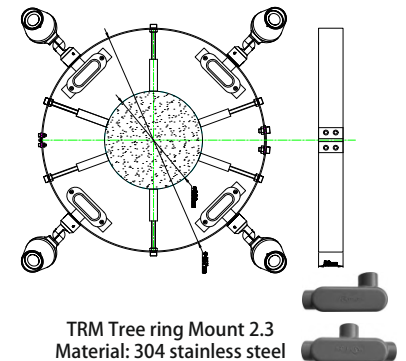
**TRM Tree ring Mount 2.0**  
Material: 304 stainless steel



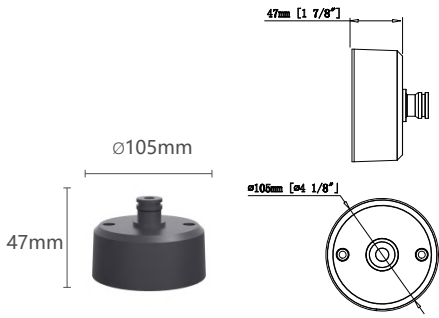
**TRM Tree ring Mount 2.1**  
Material: 304 stainless steel



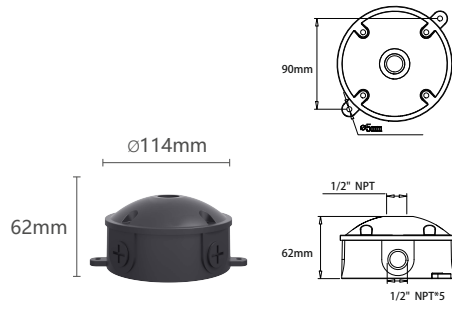
**TRM Tree ring Mount 2.2**  
Material: 304 stainless steel



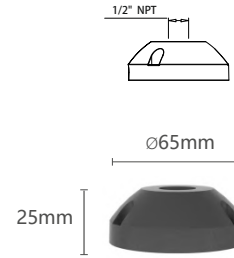
**TRM Tree ring Mount 2.3**  
Material: 304 stainless steel



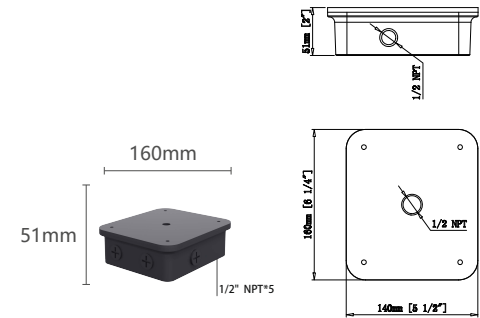
**SB Surface Base**  
Material: Die-cast aluminum



**JB Junction Box**  
Material: Die-cast aluminum



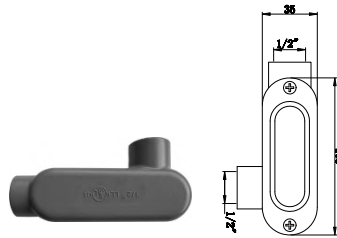
**SSB SurfaceBase**  
Material: Die-cast aluminum



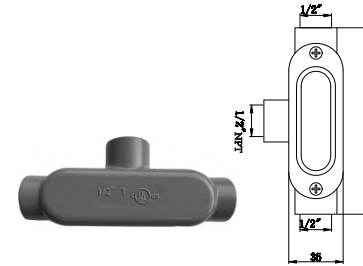
**WM Wall Box**  
Material: Die-cast aluminum



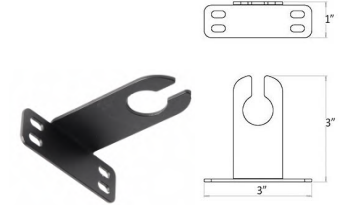
**Extension arm**  
Material: Aluminum profile  
Specification: Thickness 4mm, φ25mm  
\*Length can be customized



**Tree Box-2**  
Material: Die-cast aluminum



**Tree Box-3**  
Material: Die-cast aluminum



**Gutter Mount Bracket**  
Material: 304 stainless steel

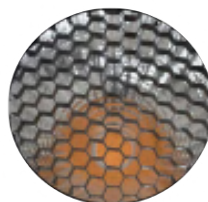
## Lens Options



Grid spread lens



Linear spread lens



honeycomb grid, black



remote control

## RGBW controller (2.4G)



