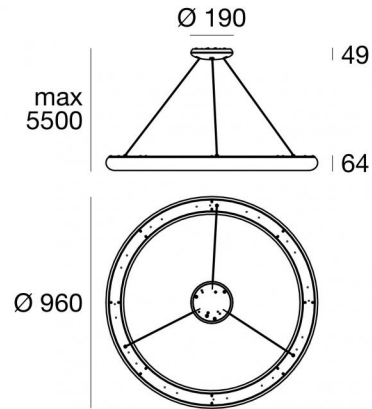


Pendant Luminaires | 220-240 V
12 topLED 45 W DC - 51 W AC | CRI 80
9163



| Technical data | |
|--|---------------------|
| Designer | Linea Light |
| Construction year | 2020 |
| Type | Pendant Luminaires |
| Installation position | Ceiling |
| Installation environment | Indoor |
| Light Source | LED |
| Circuit structure | topLED |
| Optics | Diffused |
| Light emission direction | downward and upward |
| Nominal power | 45 W DC |
| Total Power | 51 W |
| Source lumens | 5966 lm |
| Nominal input voltage | 220 - 240 V AC |
| Input voltage range | 220 - 240 V AC |
| Frequency | 50 - 60 Hz |
| Colour rendering index | 80 Ra |
| C.C. / C.V. | AC |
| Safety class | 1 |
| IP | IP20 |
| Glow wire test | 650° |
| Direct mounting on normally flammable surfaces | Yes |
| CE | Yes |
| Driver included | Driver |
| Dimmable article | No |
| Directional | No |
| Tilting | No |
| Walk-over | No |
| Drive-over | No |
| Cable included | Yes |
| Cable length | 5,5 m |
| Resin potting | No |
| Type of light emission | Double emission |
| Net weight | 4.3 Kg |
| Electrostatic discharge protection | Yes |
| Surge protection | Yes |
| CCT / Tone | 3000 K |

Finishing Finishing casing

| | |
|------------|---|
| Material | Iron |
| Colour | Text white RAL9003 |
| Processing | Powder coating with thermosetting powders |

Finishing Finishing diffuser

| | |
|----------|----------------------|
| Material | PE |
| Colour | Natural polyethylene |

Finishing Finishing mounting frame

| | |
|------------|--------------------|
| Material | Iron |
| Colour | Text white RAL9003 |
| Processing | Coating |

Cables Electrification+suspension

| | |
|------------------|---------|
| Max cable length | 5500 mm |
|------------------|---------|

Pendant Luminaires | 220-240 V | 12 topLED 45 W DC - 51 W AC | CRI 80 | Color temperature : 3000 K
9163

Double emission pendant luminaires for indoor application. The warm white LED light source with a diffused light distribution is composed of 12 topLEDs with CCT of 3000 K and a CRI 80; the source luminous flux is 5966 lm, with a 132.6 lm/W nominal luminous efficacy.

The device body is made of iron and features a text white ral9003 finish, processed by means of powder coating with thermosetting powders; the diffuser is made of pe; the mounting frame is made of iron, with a text white ral9003 finish, processed by means of coating.

The ingress protection degree is IP20; the total weight is of 4.3 kg.

The total absorbed power is 51 W The power supply cable is included and features a 5,5 m length.

The device features protection class I and can be ceiling-mounted.

Compliant with the EN 60598-1 standard and its specific provisions.

Energy efficiency class

This product contains 12 light sources of energy efficiency class E.

Illuminotechnical Features

| | |
|---|----------------|
| Light Output Ratio (LOR) | 85 % |
| Source lumens | 5966 lm |
| Delivered lumens | 5118 lm |
| Consumption | 51 W |
| Luminaire efficacy | 100 lm/W |
| Colour temperature | 3000 K |
| Standard Deviation of Colour Matching | 3 Step MacAdam |
| Colour rendering index | 80 Ra |
| Junction temperature (lighting fixture) | 80 |
| Standard Operating Ambient Temperature | 25°C |

LED Life / Failure Ratio

L70 B20 C0 72500h

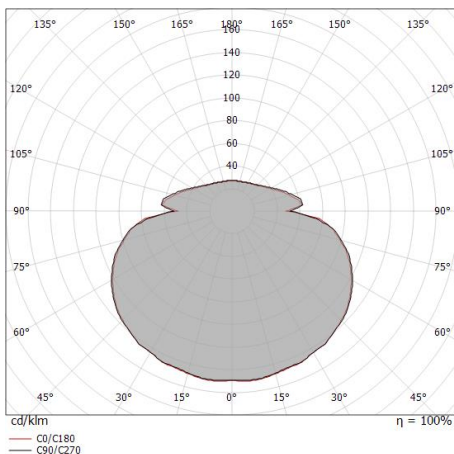
L90 B10 C0 52000h

UGR

| | |
|-------------------|----------|
| UGR axial | 19.8 |
| UGR transversal | 19.8 |
| X=4H Y=8H | S=0.25H |
| Reflection factor | 70/50/20 |

OPTICAL

| | |
|-----------------------------|-------------|
| C0/C180 optics | 169° |
| Light distribution symmetry | Symmetrical |



| Distance [m] | Cone diameter [m] | Illuminance [lx] | E(0°) | E(C90) | E(C0) |
|--------------|-------------------|------------------|-------|--------|-------|
| 0.5 | 10.78 12.16 | 3055 1 | 84.7° | 85.3° | 1 |
| 1.0 | 21.56 24.33 | 764 0 | 84.7° | 85.3° | 0 |
| 1.5 | 32.34 36.49 | 339 0 | 84.7° | 85.3° | 0 |
| 2.0 | 43.12 48.65 | 191 0 | 84.7° | 85.3° | 0 |
| 2.5 | 53.90 60.82 | 122 0 | 84.7° | 85.3° | 0 |
| 3.0 | 64.68 72.98 | 85 0 | 84.7° | 85.3° | 0 |

Distance [m] Cone diameter [m] Illuminance [lx]

— C0/C180 (Half-peak divergence: 170.6°)
— C90/C270 (Half-peak divergence: 169.4°)