



ARCH NEON • AF SERIES

Weather Fastness, -40~+60'C, IP67

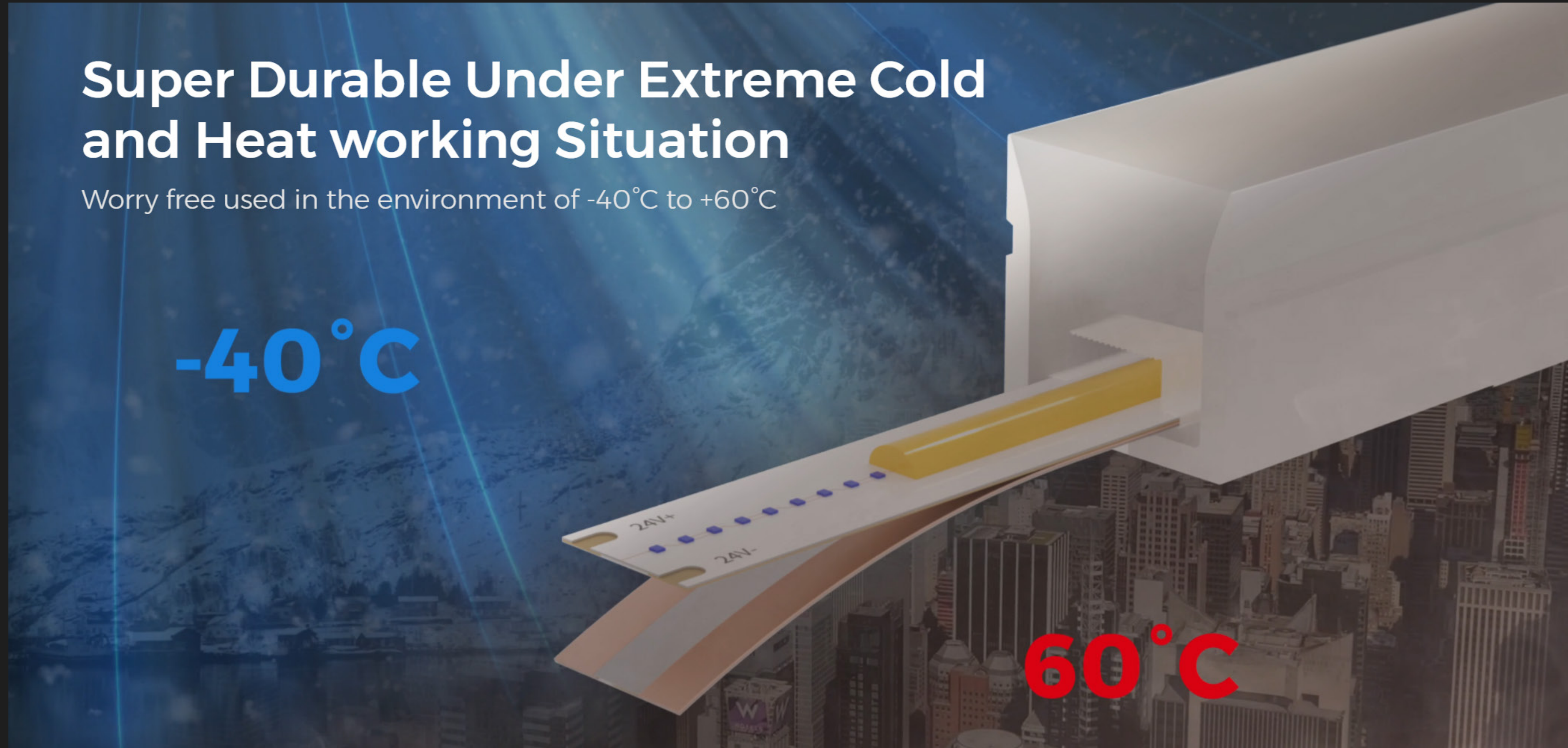
Super Weather Resistance

Super Durable Under Extreme Cold and Heat working Situation

Worry free used in the environment of -40°C to $+60^{\circ}\text{C}$

-40°C

60°C



UV

UV and Yellowing Resistance

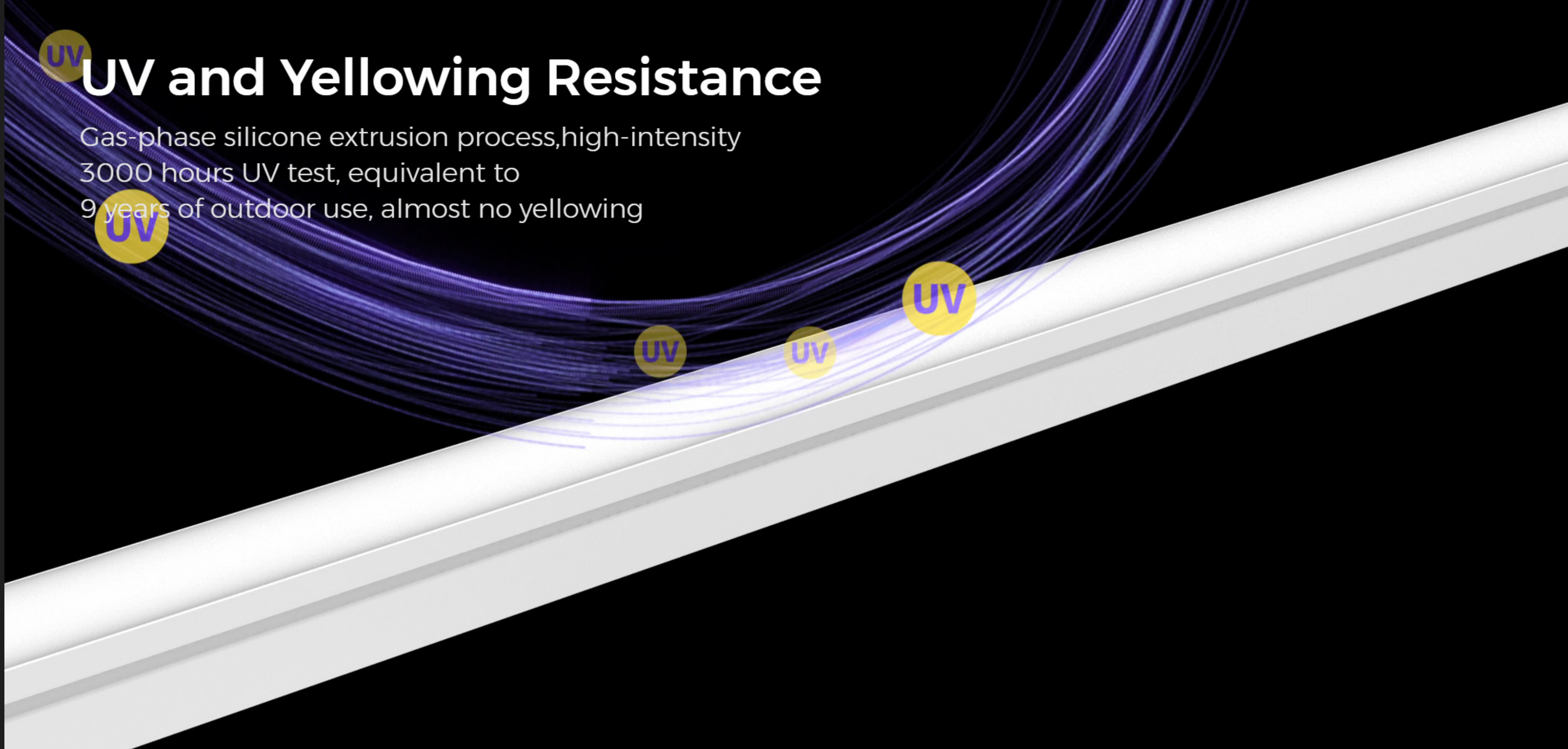
Gas-phase silicone extrusion process, high-intensity
3000 hours UV test, equivalent to
9 years of outdoor use, almost no yellowing

UV

UV

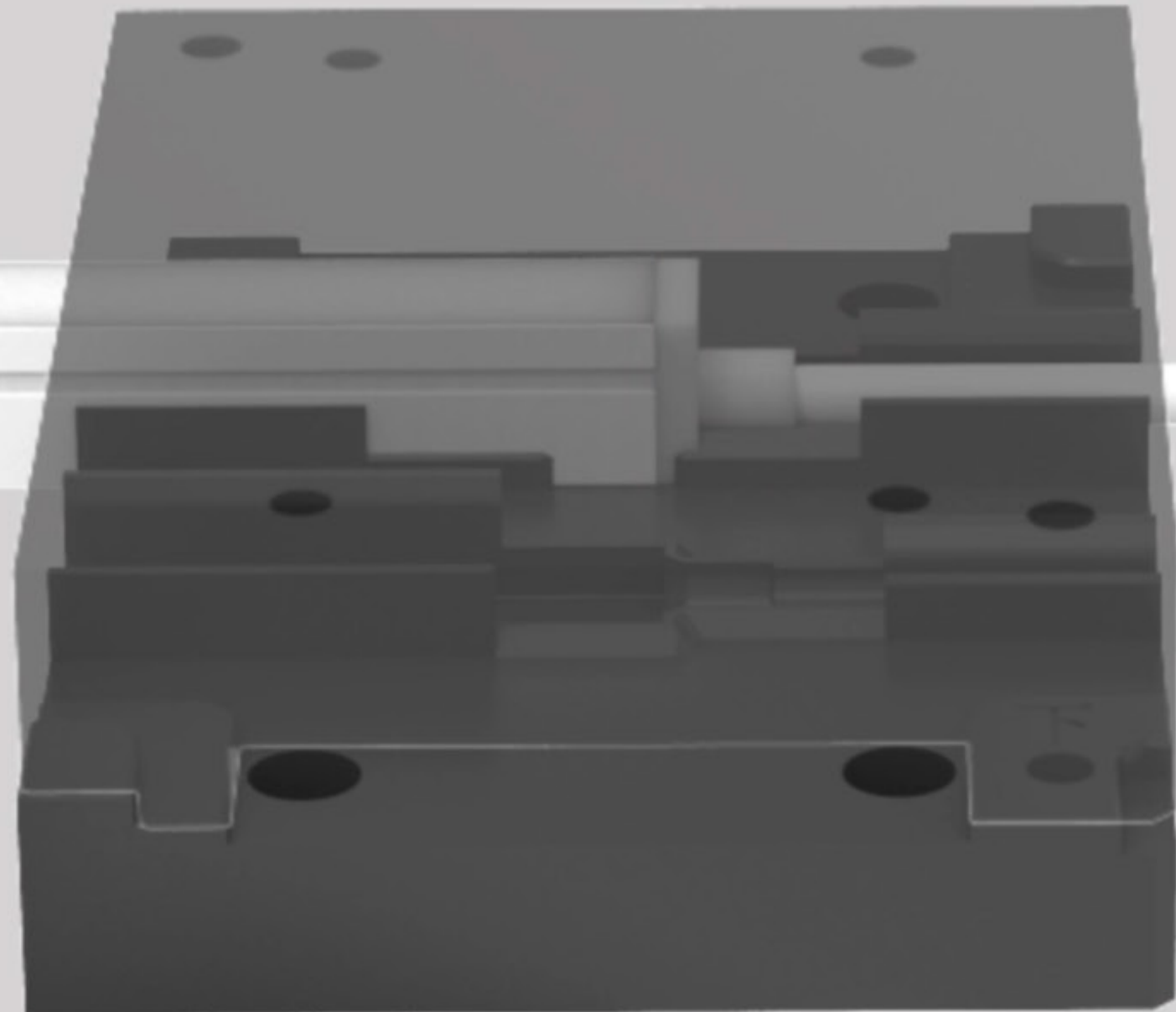
UV

UV



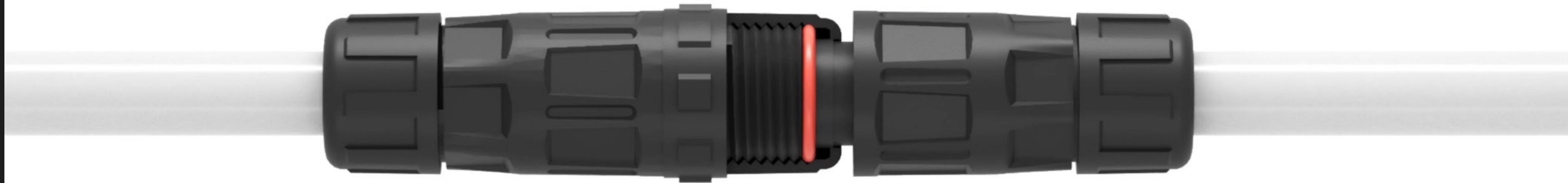
No Worry About Siphonage and Water Seepage

Uniform materials for the neon, end cap and terminal wire.
Used integrated hot melt molding process



Dual-Layer Protective Terminal

Dual-layer protective terminal ensure IP67 protection against rain and water immersion





High-intensity 3000 Hours UV Test
Equivalent to 9 years of outdoor use almost no yellowing

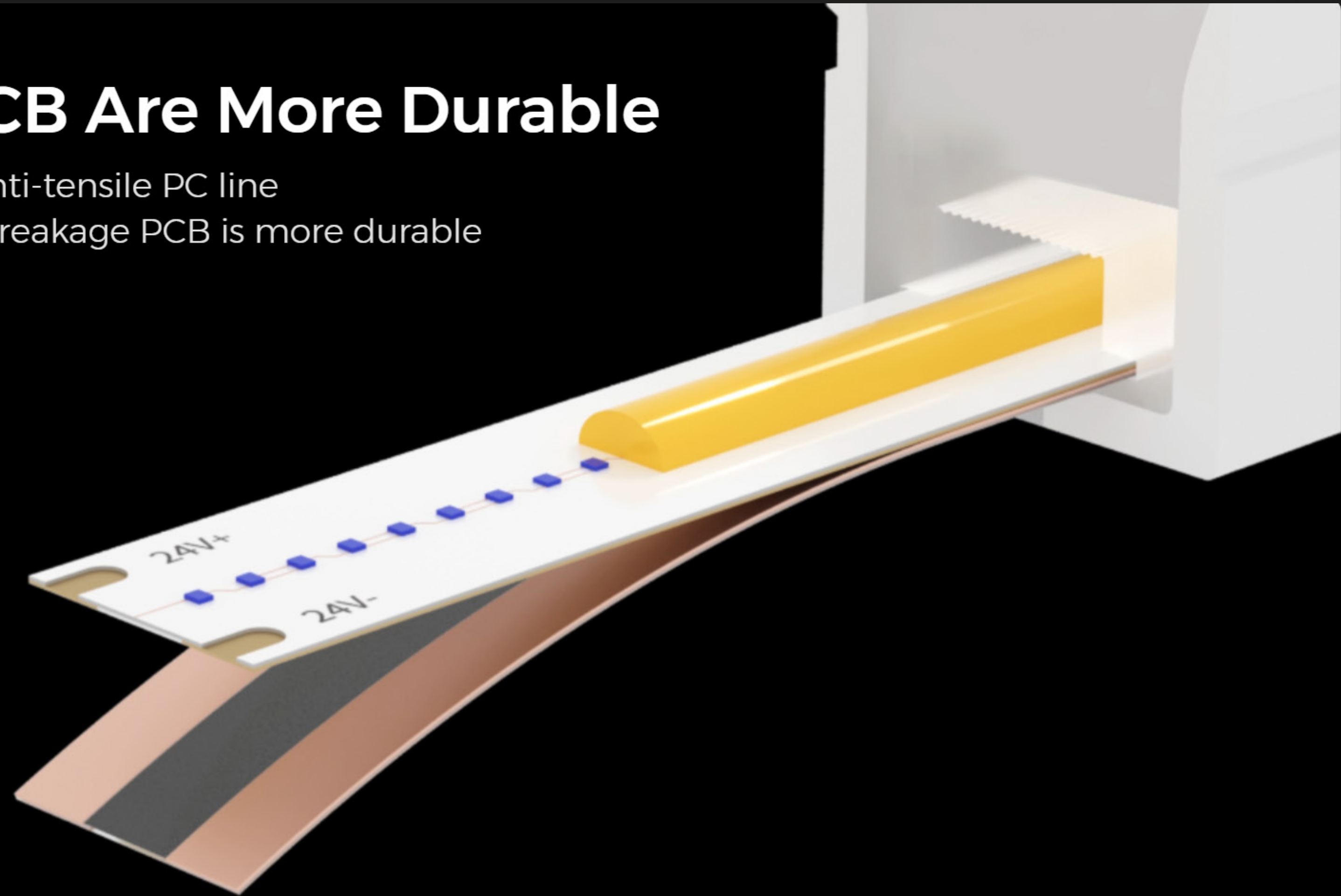


Ensure IP67 Protection Against Rain and Water Immersion

Super Durable

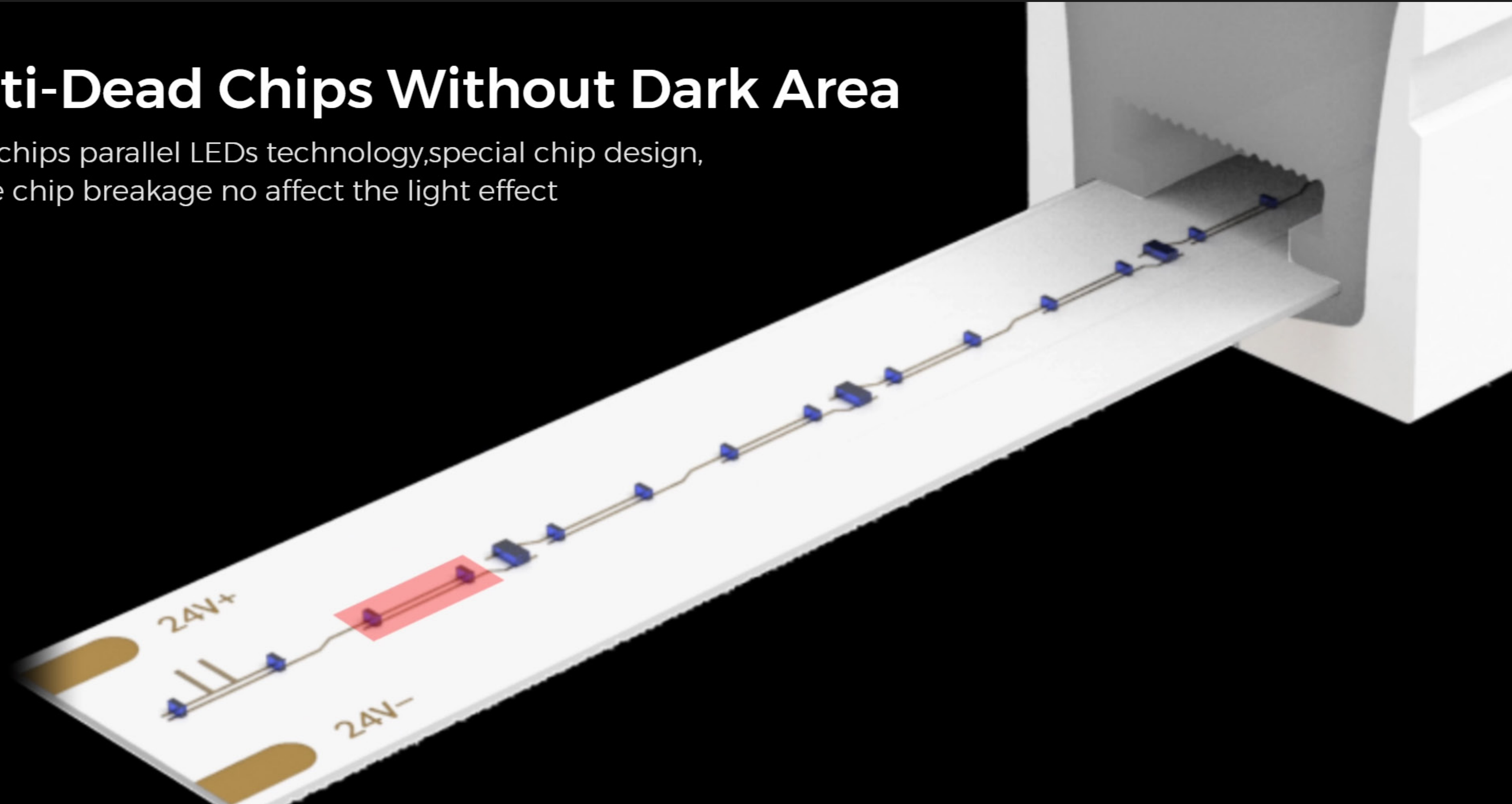
Anti-Breakage PCB Are More Durable

With an innovative 2in1 built-in anti-tensile PC line and backplane design, the anti-breakage PCB is more durable



Anti-Dead Chips Without Dark Area

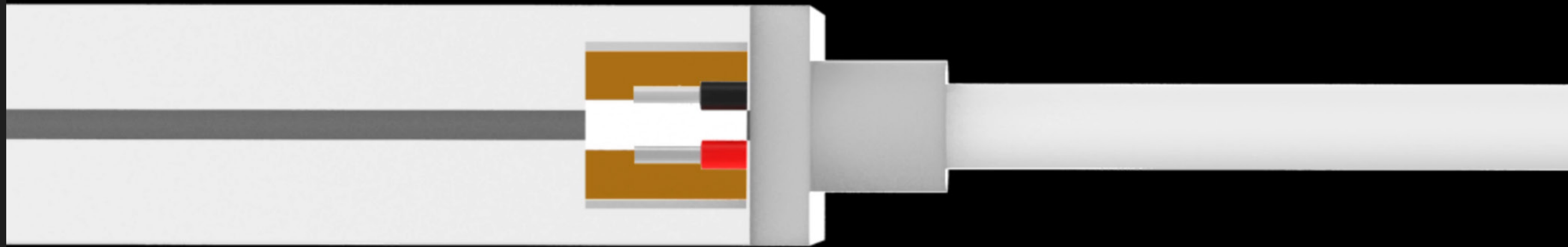
Dual chips parallel LEDs technology, special chip design,
single chip breakage no affect the light effect



Highly Versatile

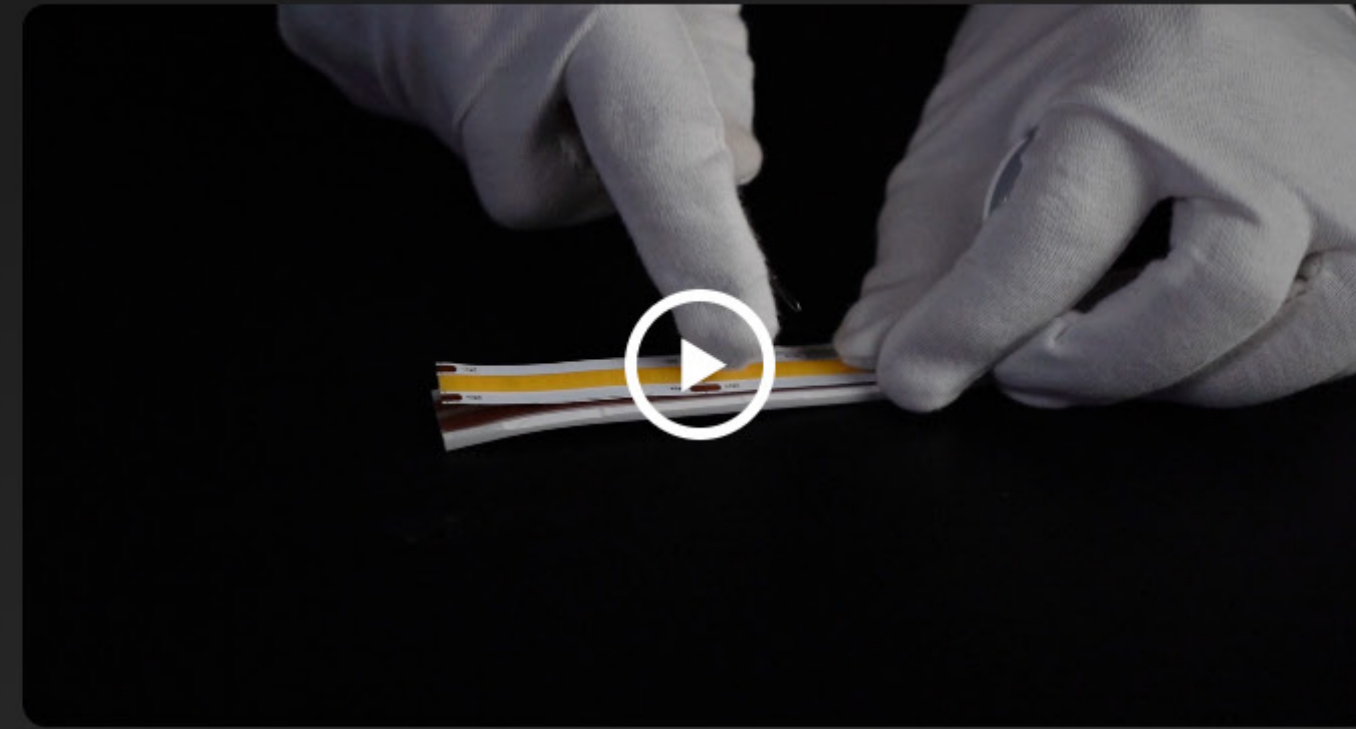
Withstands Installation Stresses

Reinforced wire soldering technology,
designed to overcome external forces





Twisting test :5000 times & Tensile Test $\geq 650\text{N}$



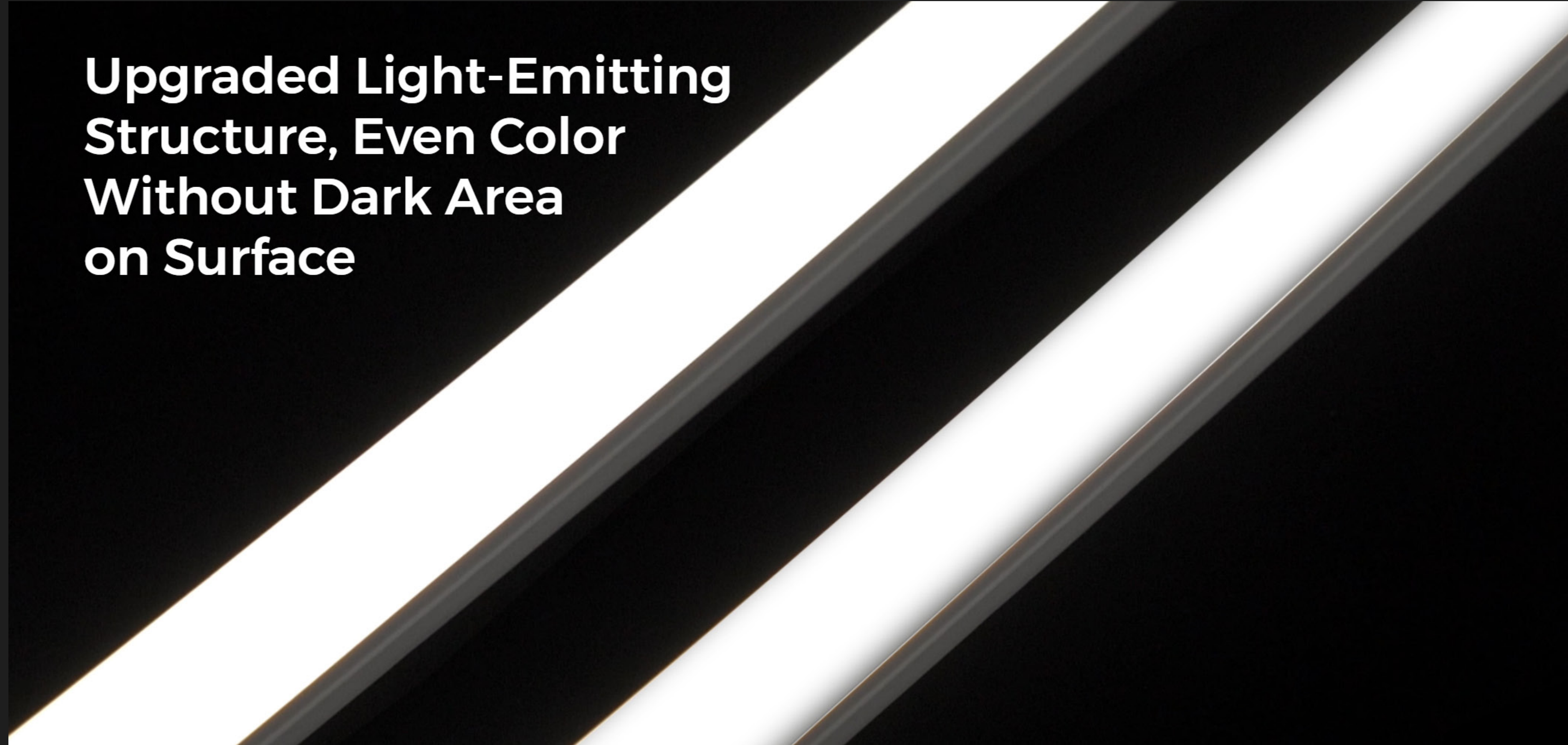
Single Chip Failure Does Not Affect Normal Illumination



Designed to Overcome External Forces Such as Pressing, Pulling and Tugging During Installation

Superior Light Quality

**Upgraded Light-Emitting
Structure, Even Color
Without Dark Area
on Surface**

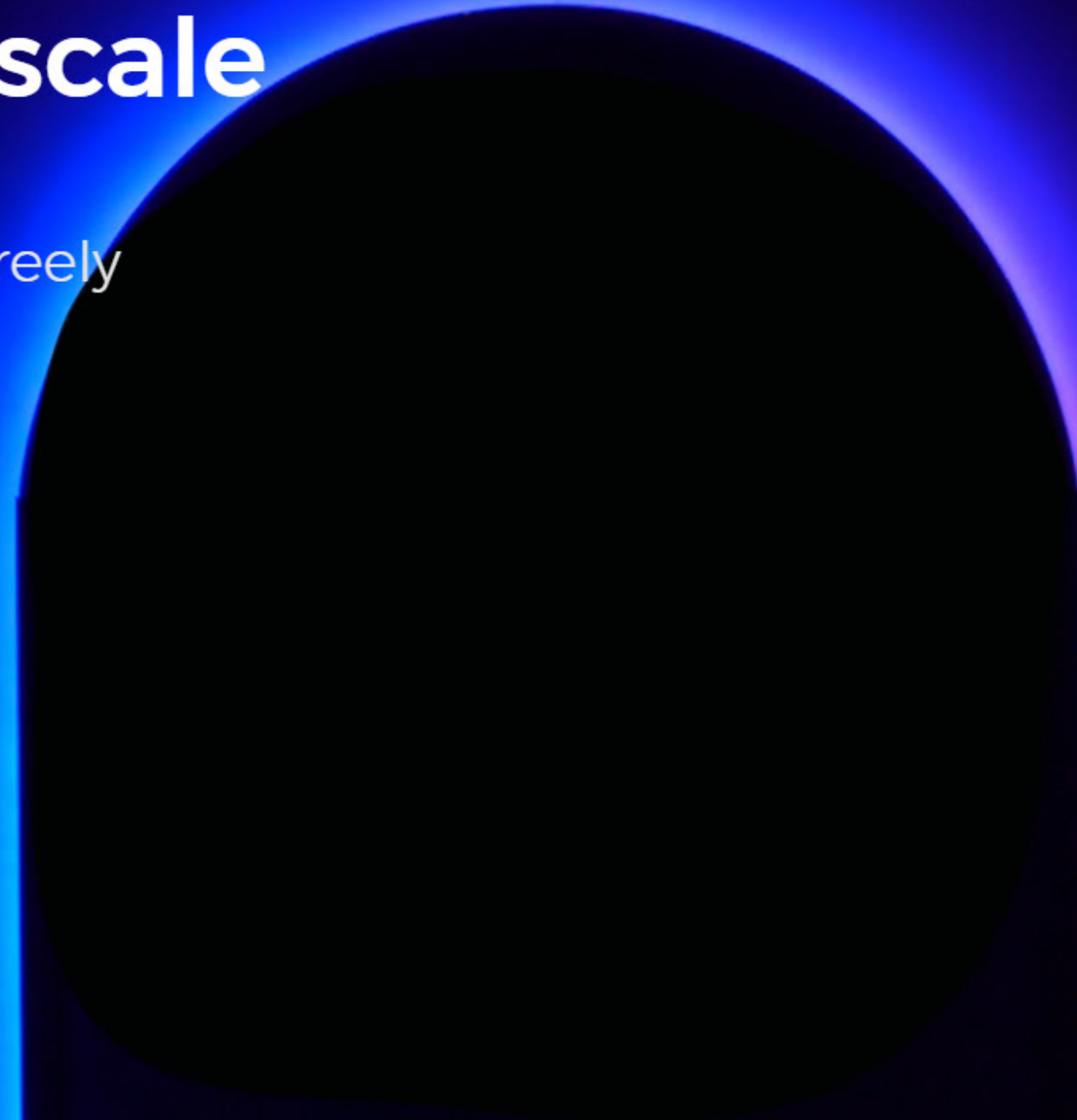


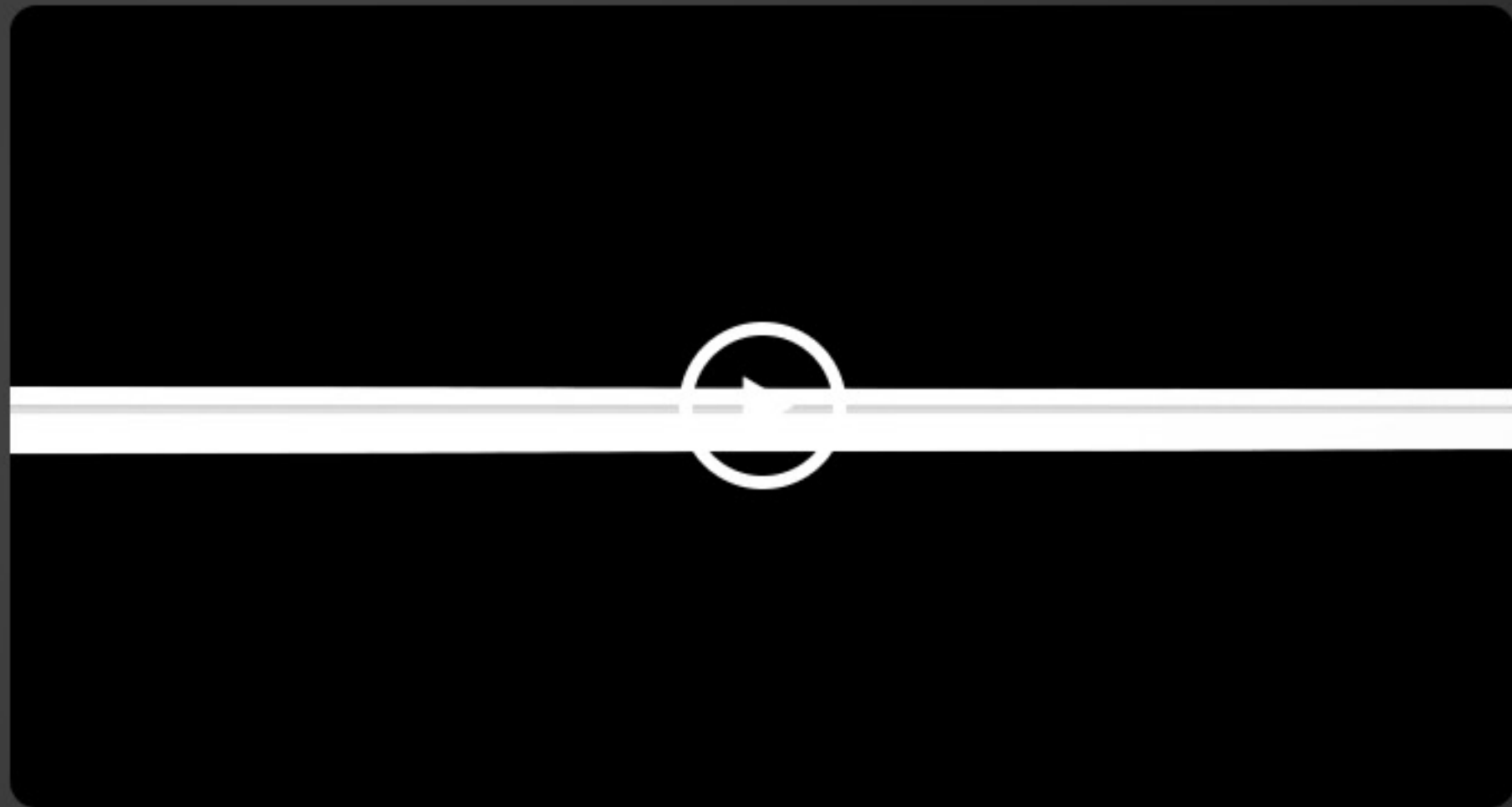
Precision-Controlled Color Temperature After Silicone Coated

SDCM<5, ensuring color consistency

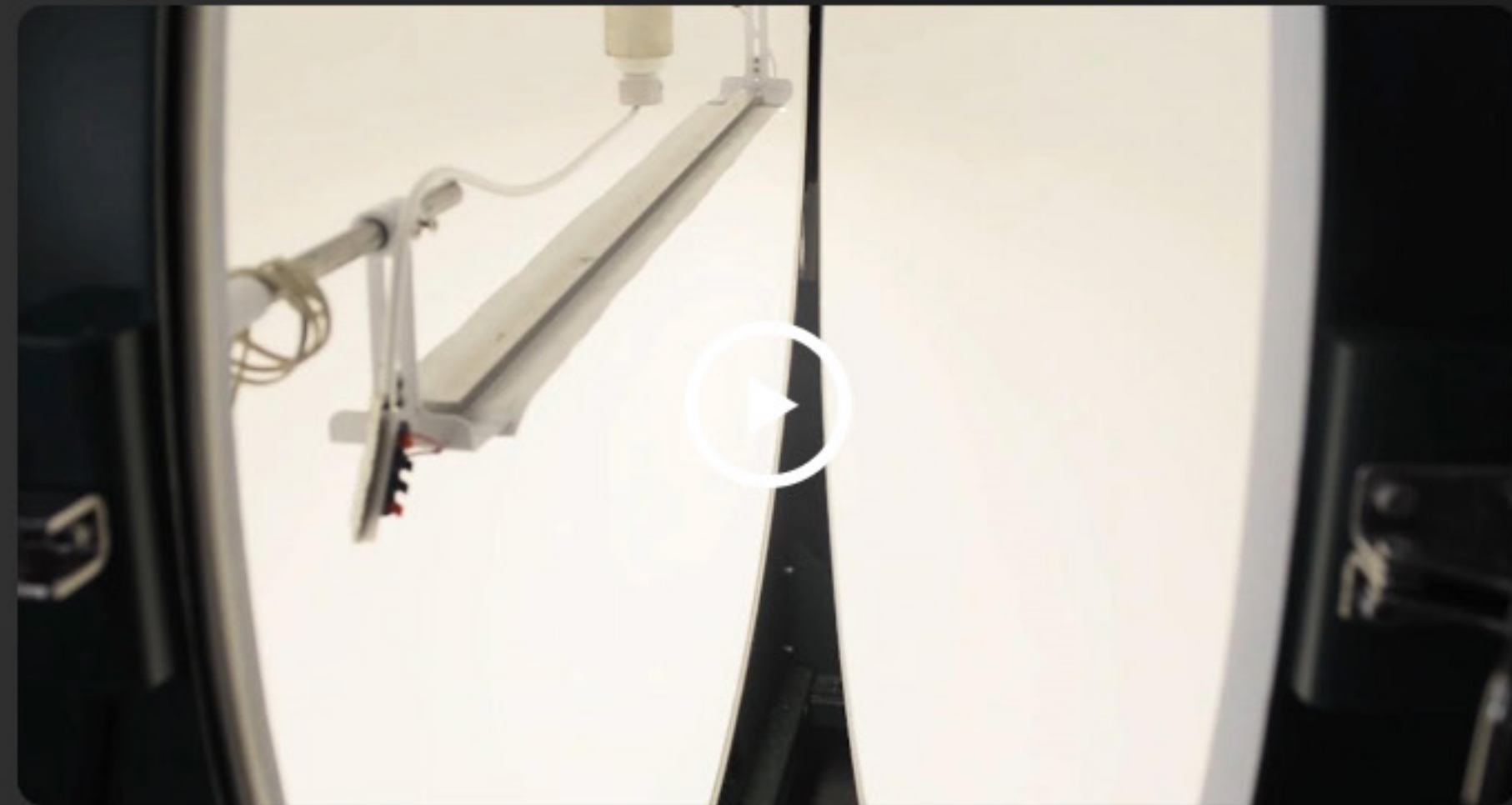
65536 Level Grayscale

DMX compatibility upgrade,
multiple controller brands used freely



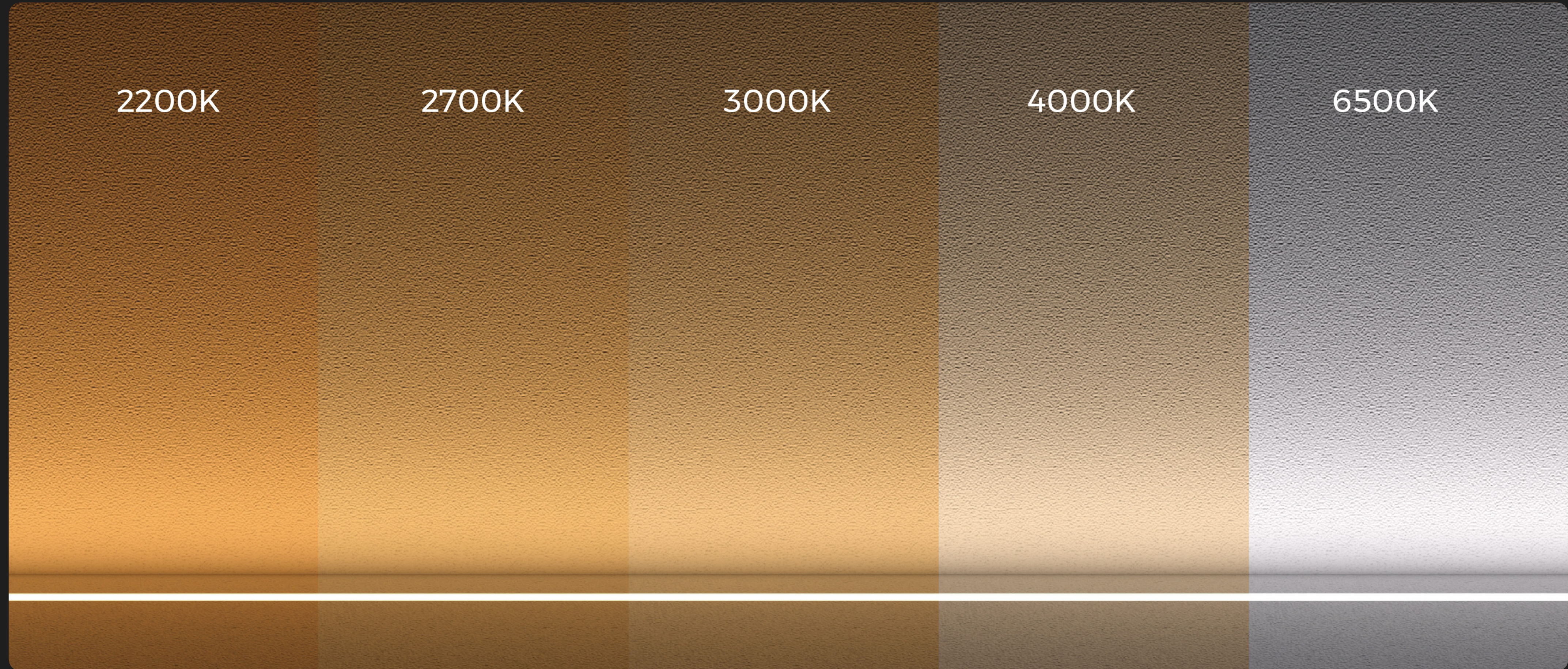


Upgraded Light-Emitting Structure, Uniform light effect



SDCM<5, Ensuring Color Consistency

Light Color Standard



2200
K

2700
K

3000
K

4000
K

6500
K

COLOR
LIGHT

R G B

R G
B W

DMX

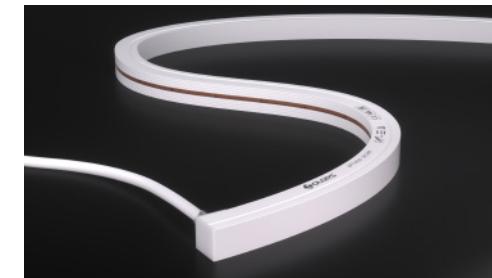
D M X

D M X

High-rise Landmark Buildings



Model Recommendation



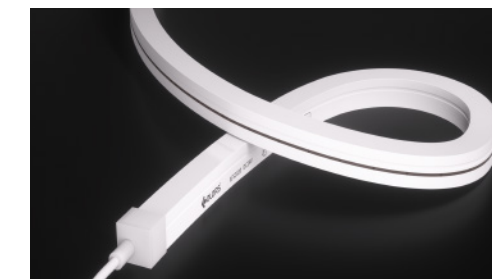
AFT1616



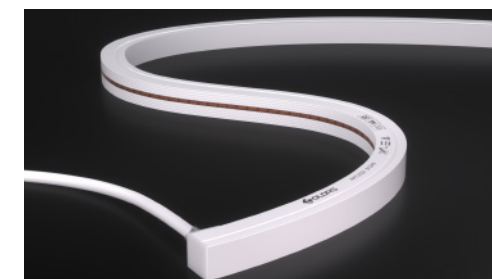
AFS1616



AFT2020



AFS2020



AHT1616



AHS1616



AHT2020



AHS2020

Recommendation Reasons:

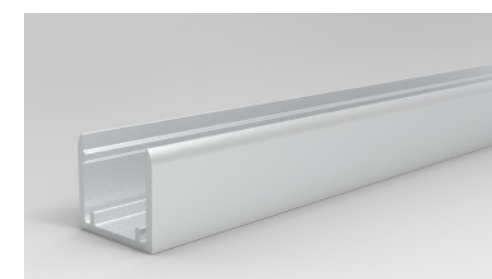
Tall buildings with long viewing distances: Recommend products with large light-emitting areas; flat neon strips offer better integration.

Extreme cold/hot areas: Recommend AF series products, featuring superior weather resistance, single-end cascading up to 50m, and comprehensive light color & control options.

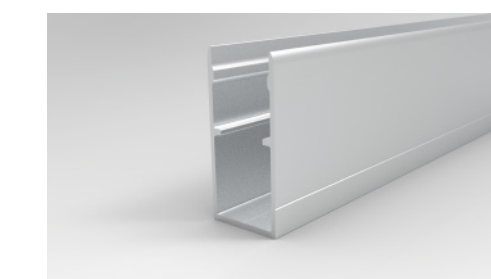
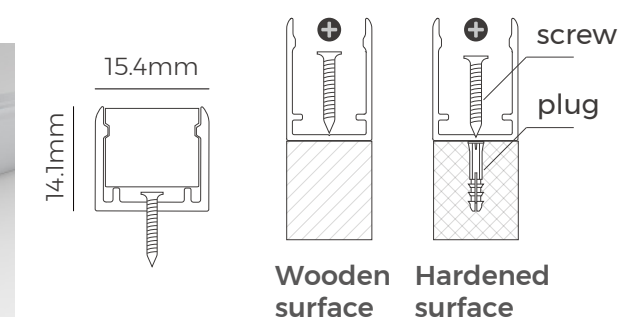
Non-extreme climates: Optional AH series neon strips with higher luminous efficiency; supports arbitrary cutting for precise length adaptation.

ENP end caps: No dark-area end caps, Ensures better splicing integration.

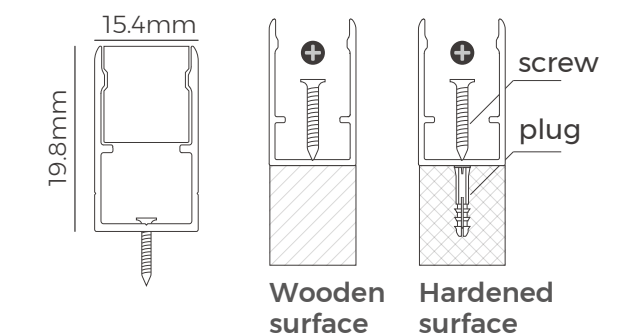
Accessories



Flat mounting aluminum groove



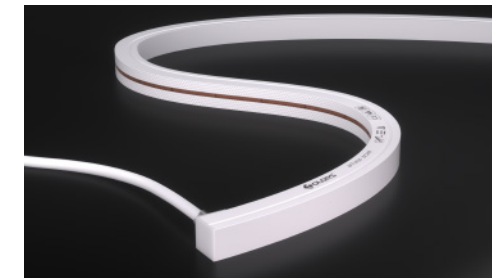
Aluminum groove of reserved outlet position



Public Cultural Buildings



Model Recommendation



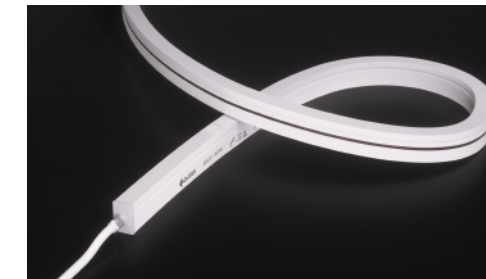
AFT1616



AFS1616



AFT312



AFS1217



AHT1616



AHS1616



AHT312



AHS1217

Recommendation Reasons:

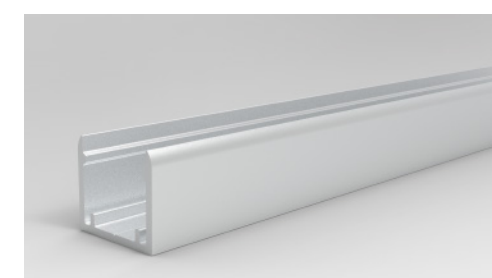
Tall buildings with long viewing distances: Recommend products with large light-emitting areas; flat neon strips offer better integration.

Extreme cold/hot areas: Recommend AF series products, featuring superior weather resistance, single-end cascading up to 50m, and comprehensive light color & control options.

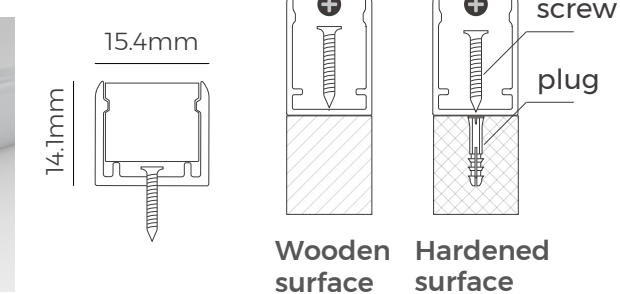
Non-extreme climates: Optional AH series neon strips with higher luminous efficiency; supports arbitrary cutting for precise length adaptation.

ENP end caps: No dark-area end caps, Ensures better splicing integration.

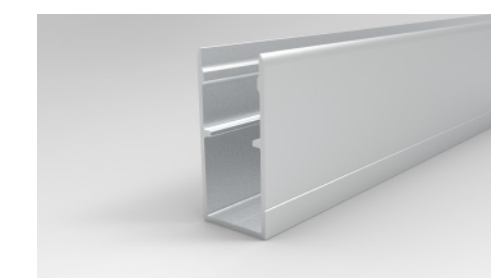
Accessories



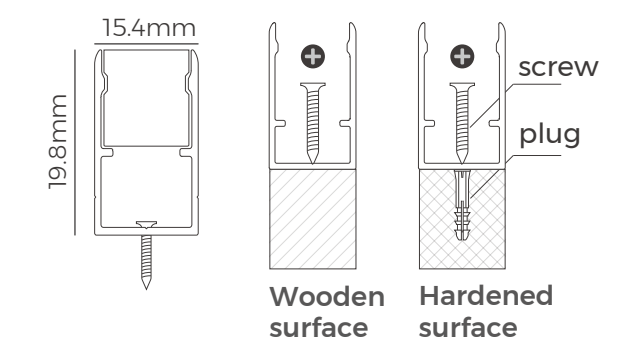
Flat mounting aluminum groove



Wooden surface
Hardened surface



Aluminum groove of reserved outlet position



Wooden surface
Hardened surface

Commercial Block Buildings



Model Recommendation



AFT1312



AFS1217



AHT1312



AHS1217

Recommendation Reasons:

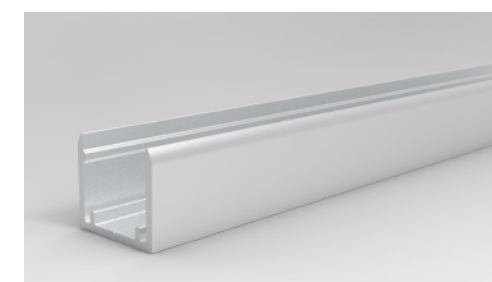
Commercial buildings (short viewing distances): Recommend products with small to medium light-emitting areas.

Neon installation in commercial areas (high length dimension requirements): Recommend AH series (free cutting, higher luminous efficiency); 15m-long cascading products are optional.

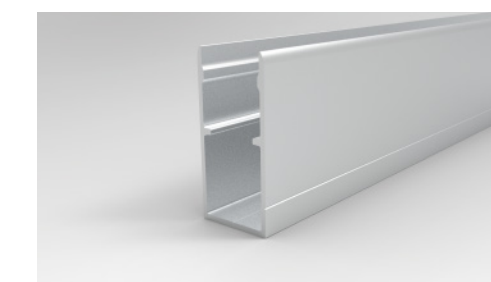
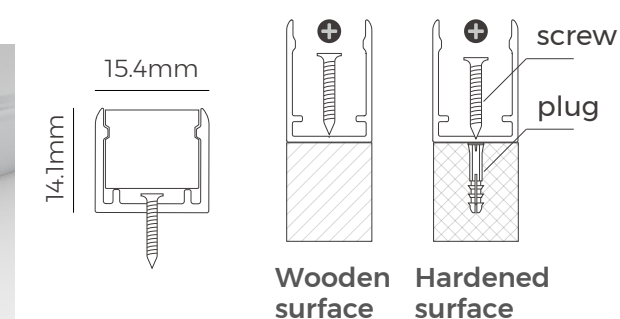
For ambient lighting and control-type products: Recommend AF series with richer light color control.

ENP end caps: No dark-area end caps, Ensures better splicing integration.

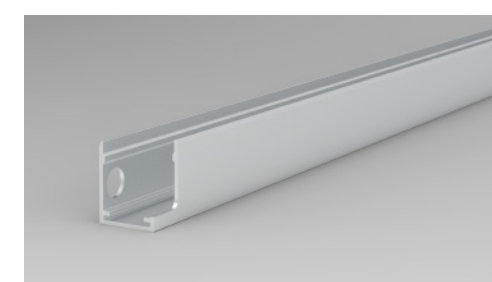
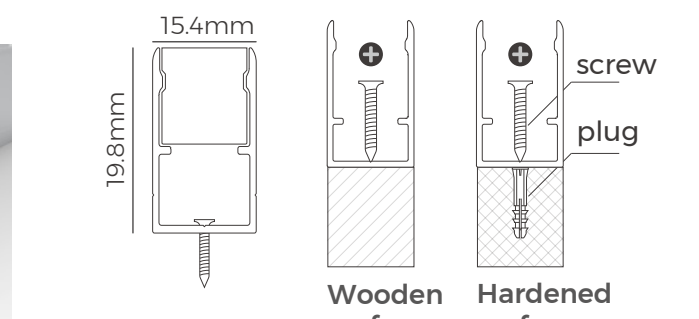
Accessories



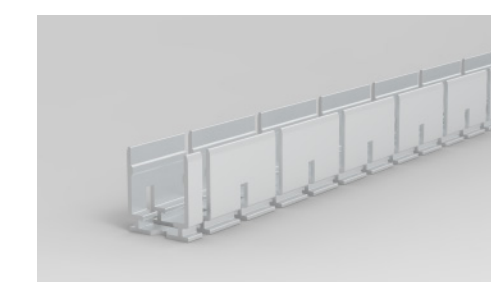
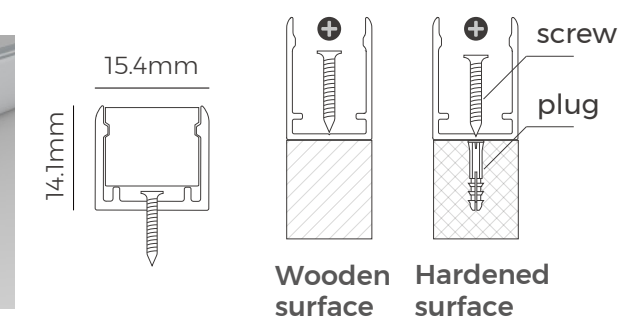
Flat mounting aluminum groove



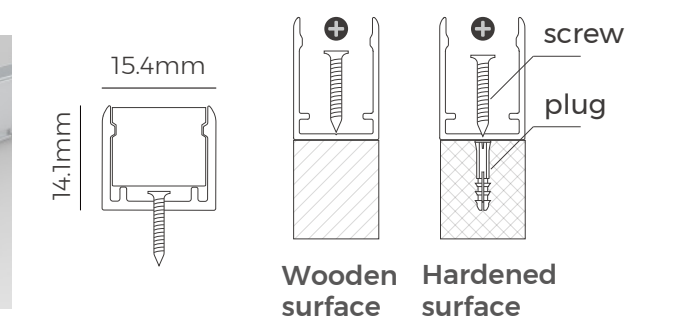
Aluminum groove of reserved outlet position



Side mounting aluminum groove



Moldable groove



Scenario Case

Xi'an International Football Center

Applications: Contour Lighting



KANAS HEMU HOLIDAY INN

Applications: Cove lighting,
Under Eave Lighting, Low
Position Ambient Light



SHERATON Zhaoqing Dinghu

Applications: Contour Lighting, Under Eave Lighting



Shanghai Tencent Building

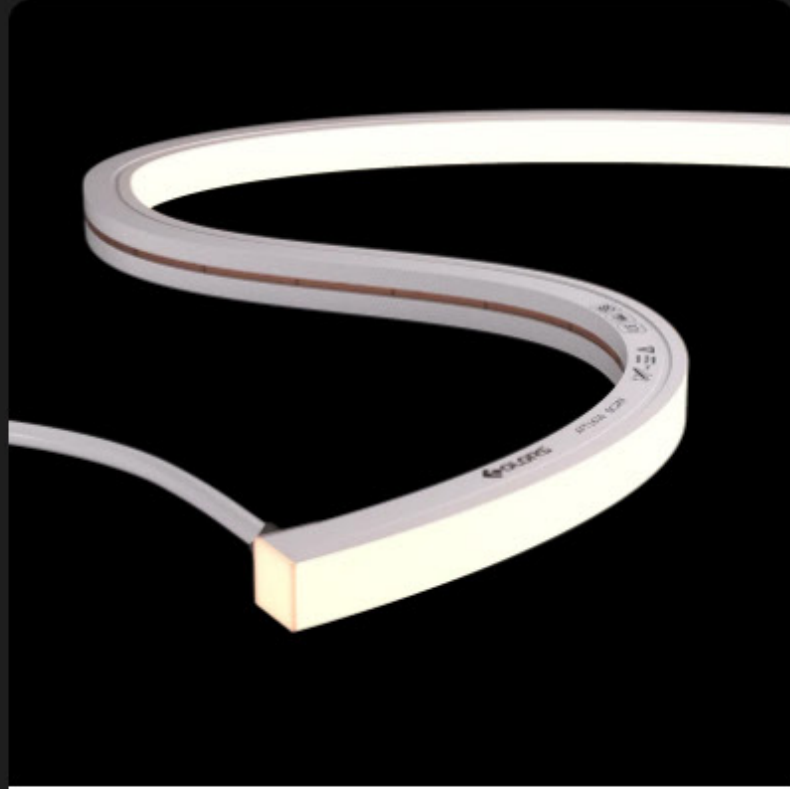
Applications: Contour Lighting



Product Model



AFT2020
[Learn more >](#)



AFT1616
[Learn more >](#)



AFT1615
[Learn more >](#)



AFT1312U
[Learn more >](#)



AFT1312
[Learn more >](#)



AFS1217
[Learn more >](#)



AFS1224
[Learn more >](#)

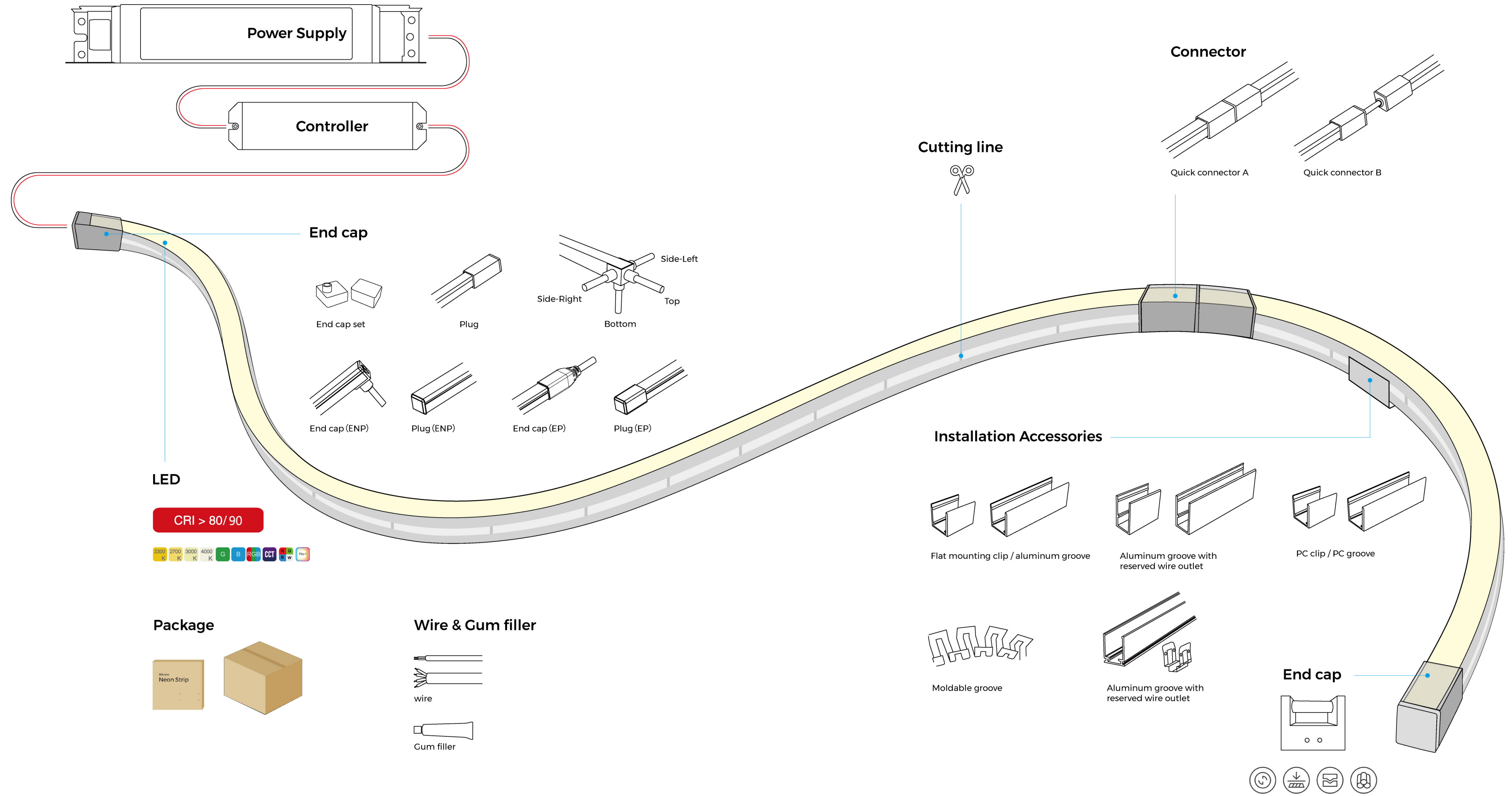


AFS1616
[Learn more >](#)



AFS2020
[Learn more >](#)

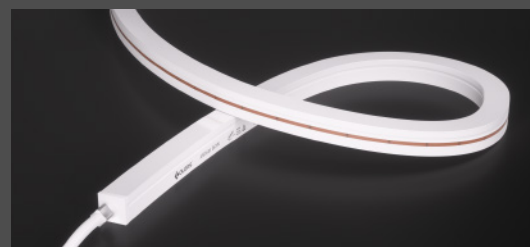
Product Accessories



More Recommendations

AF Series

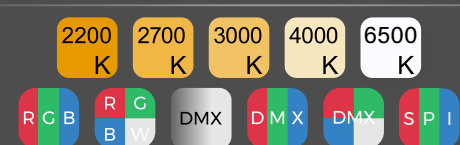
Weather fastness series



Applications in facade lighting / landscape lighting

Top bend:1312/1615/1616/2020/1312U
Side bend:1217/1616/2020/1224

7 Years



IP67

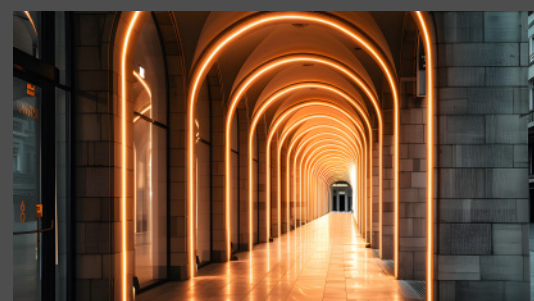
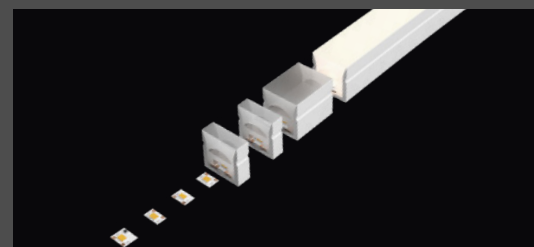
Temperature resistant
-40°C~+60°C

SDCM<5

Length(white light)
24V-10m/R;48V-20m/R

AH Series

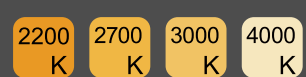
Free cutting series



Applications in facade lighting / landscape lighting

Top bend:1312/1615/1616/2020/1312U
Side bend:1217/1616/2020/1224

7 Years



IP67

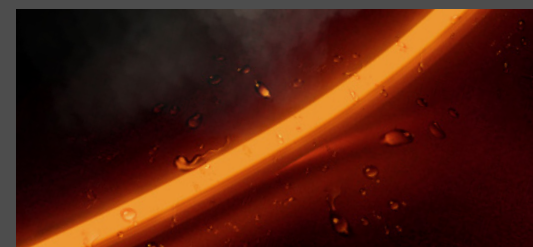
Temperature resistant
-20°C~+50°C

SDCM<5

Length(white light)
24V-10m/R;48V-20m/R

AN Series

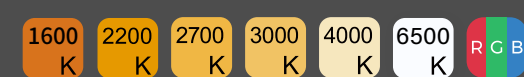
Sauna use series



Applications in sauna room

Top bend:1312/1615
Side bend:1217

5 Years



IP67

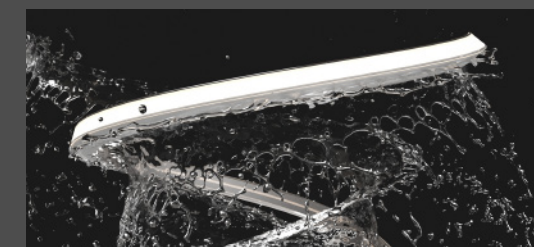
Temperature resistant
-40°C~+110°C

/

Length(white light)
24V-15m/R

AW Series

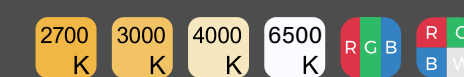
Under-water use series



Applications in swimming pool / underwater

Top bend:2020
Side bend:2020

5 Years



IP68

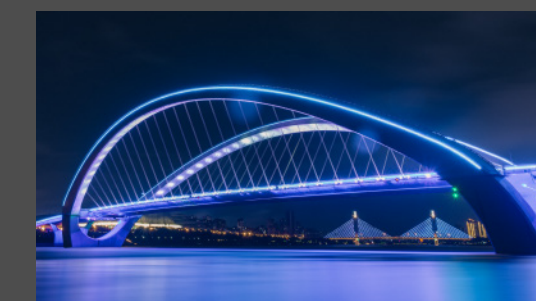
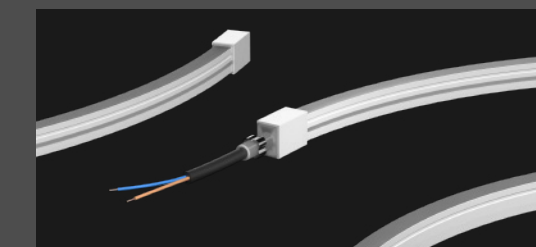
Temperature resistant
-20°C~+50°C

/

Length(white light)
24V-5m/R

AC Series

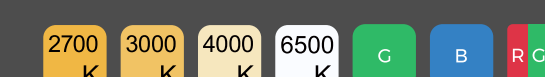
AC230V series



Applications in bridge lighting / landscape lighting

Top bend:1312
Side bend:1217/1224

5 Years



IP65

Temperature resistant
-20°C~+50°C

/

Length(white light)
230V-50m/R