

A long, thin, white linear lighting fixture is shown at an angle, extending from the bottom left towards the top right. It has a black mounting bracket at the top right end. The background is dark with a subtle gradient and some faint lines.

# LLS-SKYLINE

Linear Lighting  
System  
-SKYLINE-

The beginning of the story

Each meteor carries a mission

To the cold or the bare land

I want to chase the star

Changing into a rainbow of the night

Turning Into the breeze of moonlight





SKYLINE



Indirect Lighting

Direct Lighting

Wall Washing



Indirect Lighting





# Brand

## VIEW OF US

Worldwide Innovation Brand of Indoor LED Lighting

## BRAND POSITIONING

LED Linear Lighting Solution Provider

## BRAND STYLE

Concise | Trendy | Innovative

## BRAND VALUE

Concentration | Profession | Acme | Innovation | Iteration

## CONSIDERATION OF DESIGN

Simplification | User Friendly | Consumerism



## Production Facility

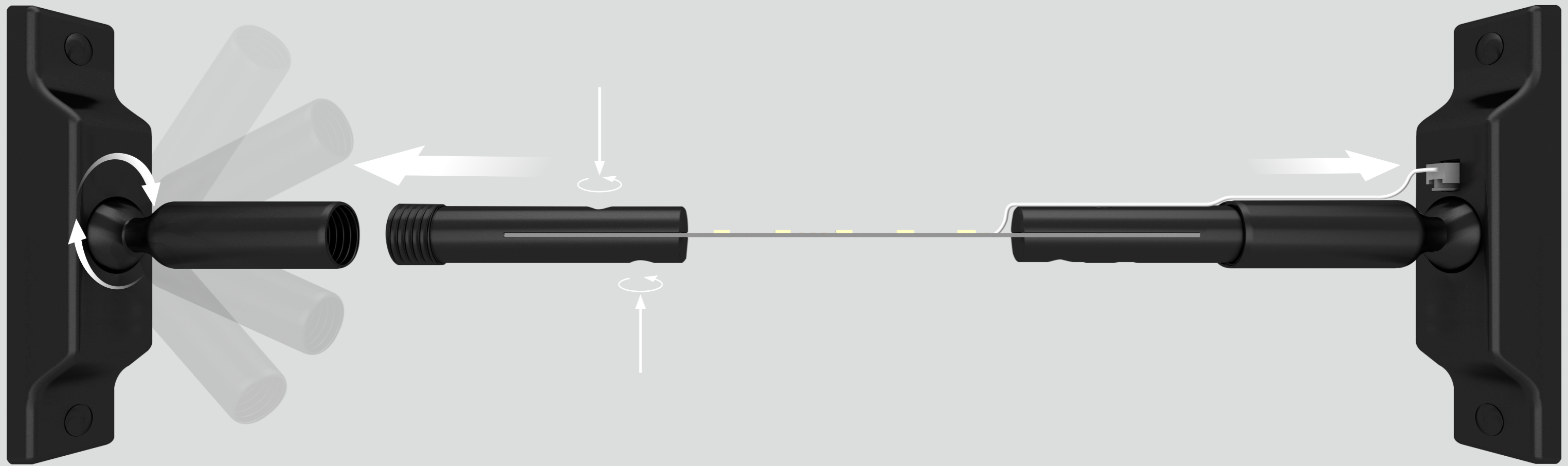




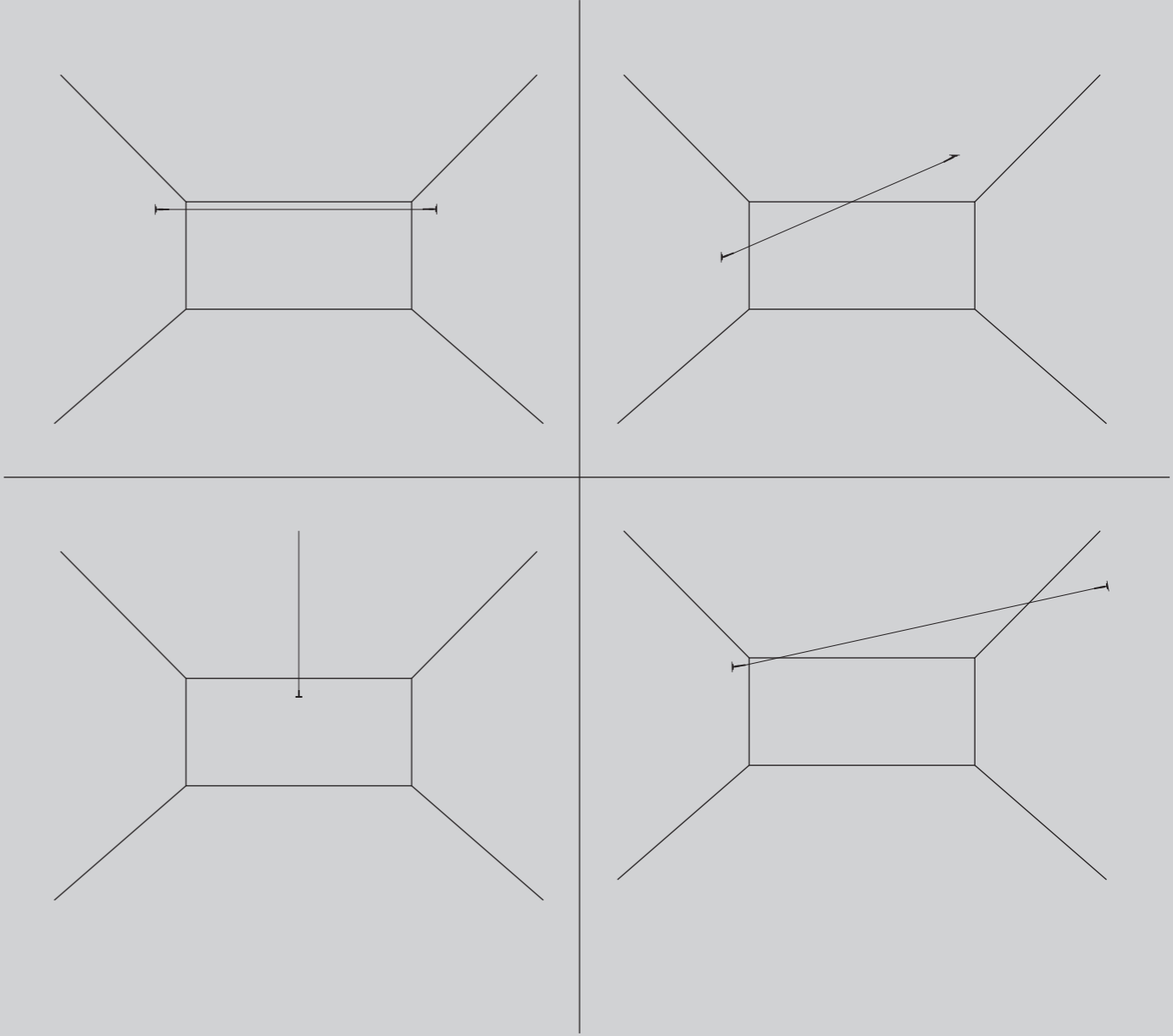
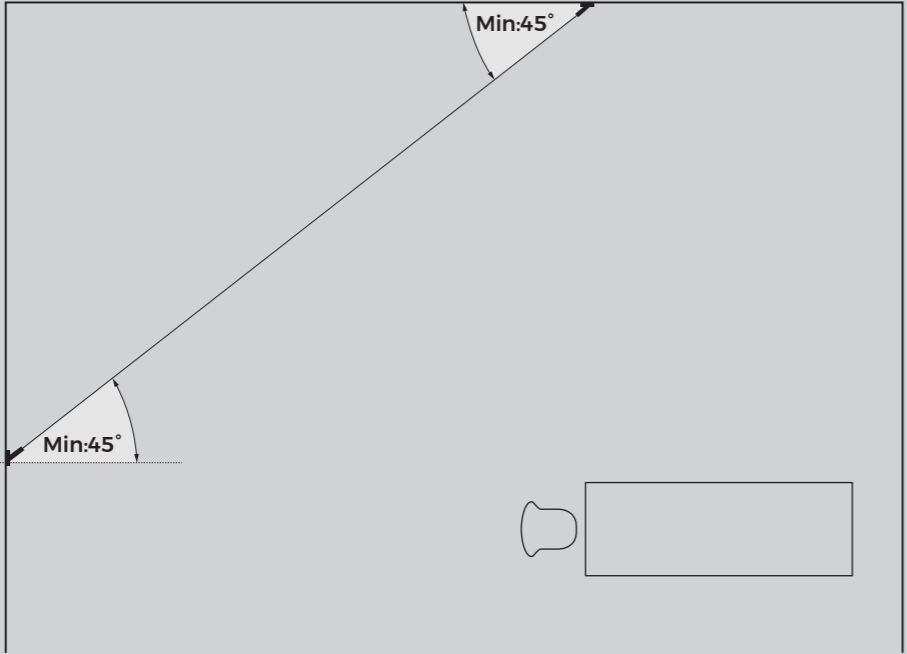
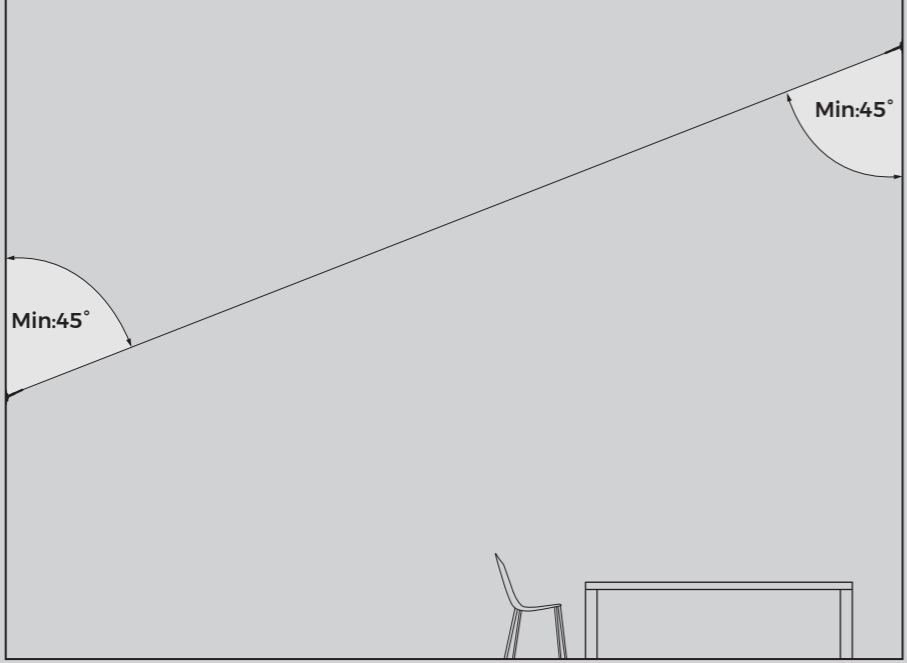
 **COLORS®**

Direct Lighting

# Design principles

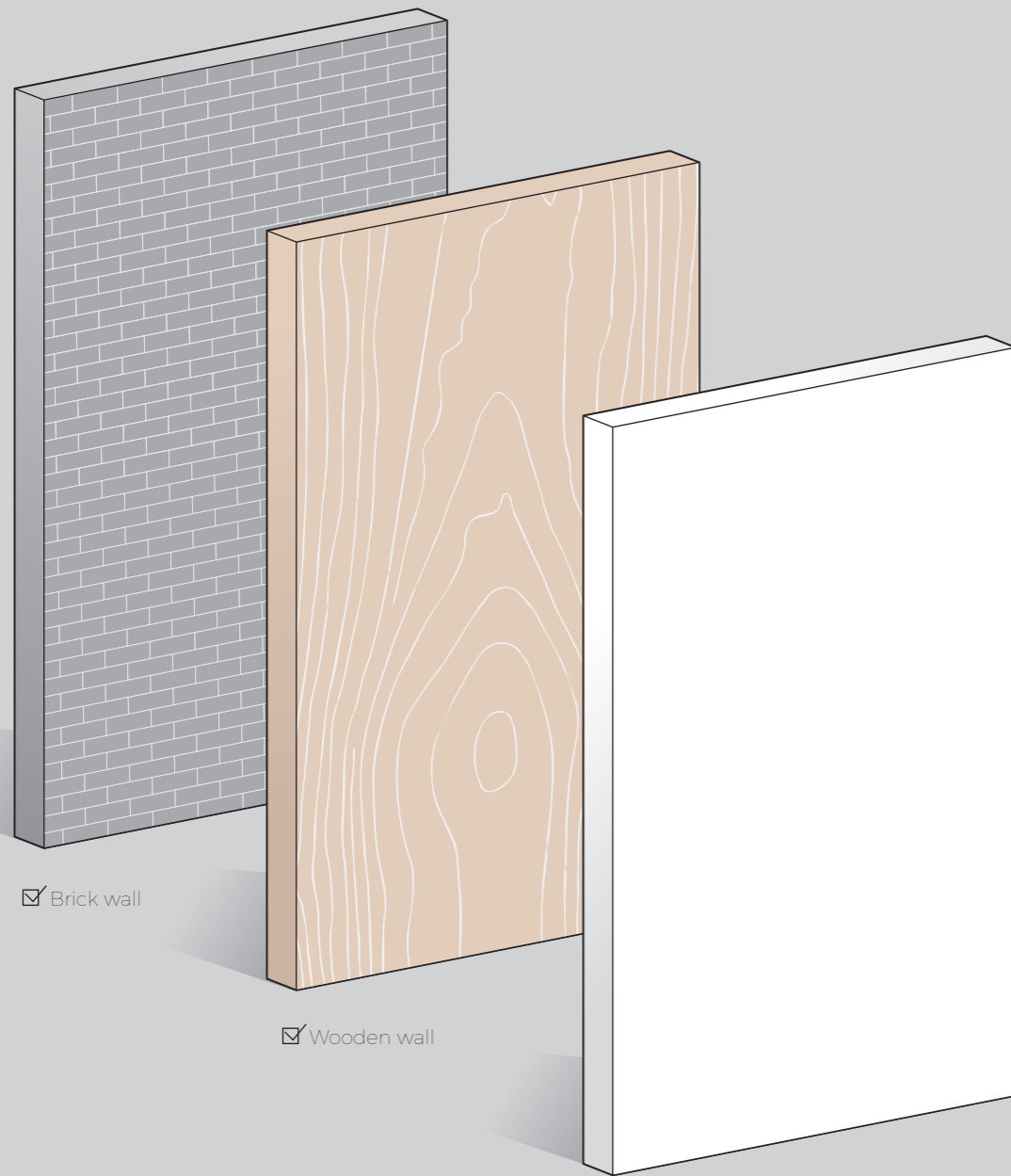


# Application Guidelines



\*Recommended installation height is above 2M

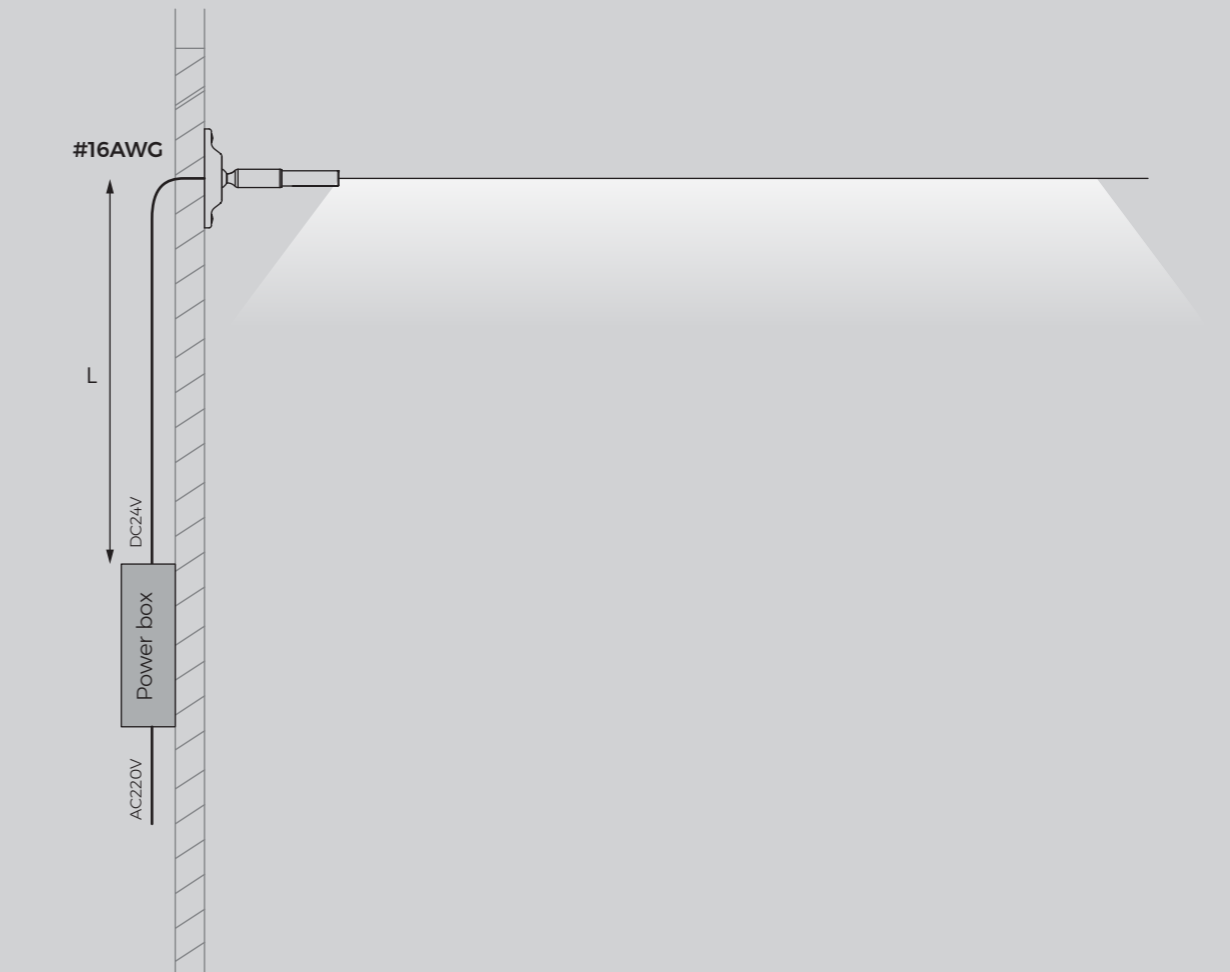
# Installation guidelines



Brick wall

Wooden wall

Drywall



SKY-06A: Lmax=9M; 13.5W/m; DC24V

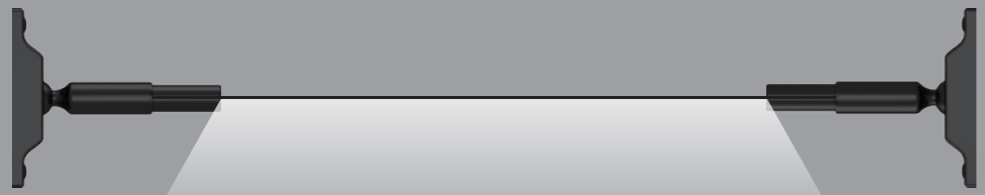
SKY-06B: Lmax=9M; 9.6W/m; DC24V

SKY-12C: Lmax=7M; 8.7W/m; DC24V

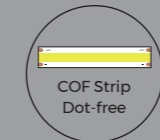
SKY-20C: Lmax=5M; 8.7W/m; DC24V

\*Please calculate the required power according to the actual length

Ra90 2700 K 3000 K 4000 K 6000 K



SKY-06B  
6M

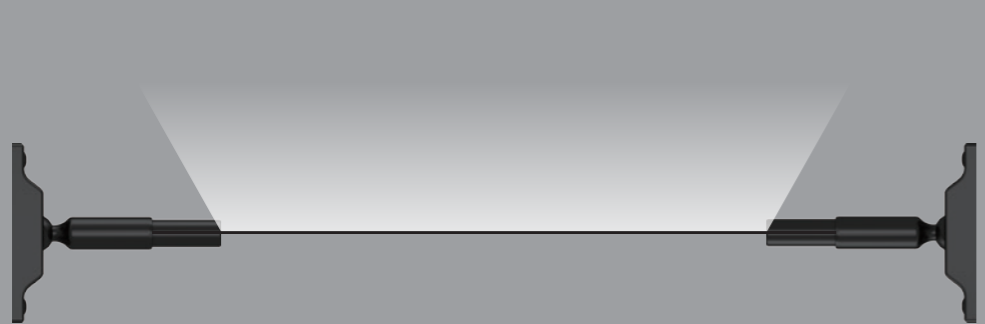


9.6  
W/m

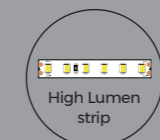
910  
LM/m

DC  
24V

Ra80 2200 K 2850 K 4000 K 5700 K



SKY-06A  
6M



13.5  
W/m

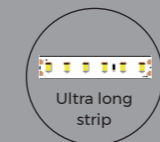
1320  
LM/m

DC  
24V

Ra90 2700 K 3000 K 4000 K 6000 K



SKY-12C  
12M



8.7  
W/m

890  
LM/m

DC  
24V



SKY-20C  
20M



# Parameters

Model	SKY-06B	SKY-06A	SKY-12C	SKY-20C
Length	6M	6M	12M	20M
Lighting source				
Cutting Unit	50mm	50mm	50mm	50mm
Input voltage	DC24V	DC24V	DC24V	DC24V
CCT	<span>2700 K</span> <span>3000 K</span> <span>4000 K</span> <span>6000 K</span>	<span>2700 K</span> <span>3000 K</span> <span>4000 K</span> <span>6000 K</span>	<span>2700 K</span> <span>3000 K</span> <span>4000 K</span> <span>6000 K</span>	<span>2700 K</span> <span>3000 K</span> <span>4000 K</span> <span>6000 K</span>
CRI	>90	>90	>90	>90
Typ. power	9.6W/m	13.5W/m	8.7W/m	8.7W/m
Lumens	910LM/m	1320LM/m	890LM/m	890LM/m
Color	●	●	●	●

## Ordering Code

Category	Length	Light Source Type	CRI	CCT	Color
Skyline	6000mm	D8120-24V-8mm	>90	2700K	Black
	12000mm	DRF10-24V-8mm		3000K	
	20000mm	DS8120-24V-8mm		4000K	
				6000K	

SKY - 06 A 9 40 B

SKY-06A940B



LED LINEAR &  
COMMERCIAL  
LIGHTING



Tel: +86-755-2923-1888

E-mail: [colors@colorsled.com](mailto:colors@colorsled.com)

Web: [www.colorsled.com](http://www.colorsled.com)

Add: 17F, Block B, Building 2, North of Skyworth

Inno Valley, Shiyan town, Bao'an District, Shenzhen